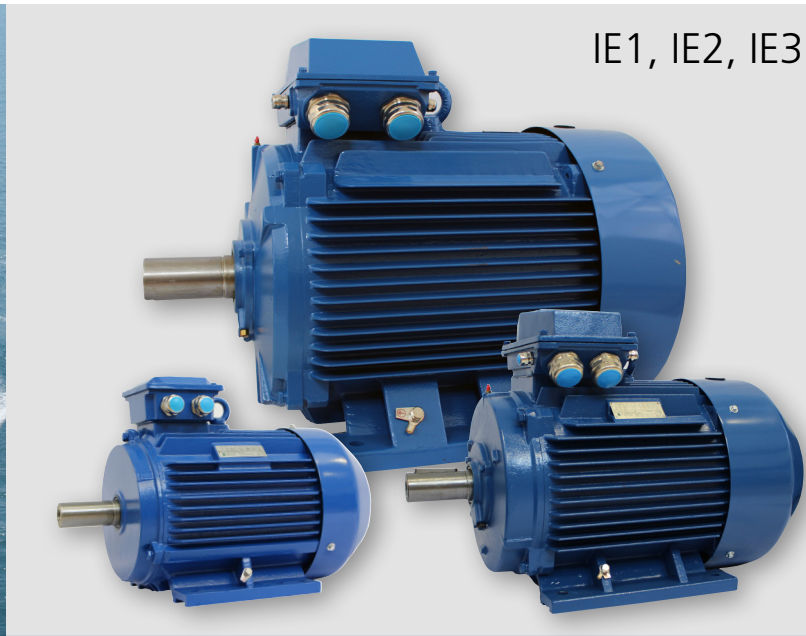


3D Series Three Phase Induction Motors 3D系列三相异步电动机

For marine and industry use 船用和工业用



Let us present BEVI

Founded in 1931, BEVI is one of the Nordic region's largest companies working with electric drive and power generation supporting a wide range of applications and industries, including the Marine industry. Electric motors is our core business and we are always at the cutting edge in terms of product development and quality of energy efficient drive systems.

We are active in Sweden, Denmark, Norway, Finland, Lithuania, Estonia and China mainly through our own companies, but also through distributors. It provides good, local contact and good accessibility. The headquarters is located in Blomstermåla, Sweden.

BEVI AB is certified according to ISO 9001 and ISO 14001.

There are local variations in our offer but overall the BEVI group offers a comprehensive range of electric motors, generators, transmissions, power electronics, component materials and starting equipment. We also perform service on electrical machines up to 20 tonnes.

BEVI is part of Addtech, a Swedish publicly listed technology trading group comprising of 130 independent companies that sell high-tech products and solutions to customers in around 20 countries.

BEVI简介

BEVI是北欧地区最大的驱动设备和电力设备供应商之一，自1931年开始生产各种用途的电动机。电动机为其核心产品，产品研发和产品质量处于领先行列。

BEVI在瑞典、丹麦、挪威、芬兰、立陶宛、爱沙尼亚和中国设有公司和经销商，为当地的用户提供优质产品和服务。

BEVI AB获得了ISO9001和ISO14001质量体系认证。

BEVI可以为用户提供电动机、发电机、传动设备、电子设备、产品部件、原材料及起动设备，也可为20吨以下的电机提供维修服务。

BEVI是瑞典上市公司ADDTECH AB的成员，ADDTECH拥有130多家企业，为20多个国家和地区的用户提供高科技产品和解决方案。

Content / 目录

3D motor description / 3D 系列电动机概要	4
Mounting arrangements / 安装方式	5
Design approvals / 设计认可	5
Bearing size and cable glands / 轴承及出线口格兰	7
Technical data IE1 / 性能数据 IE1	8
Dimensions IE1 / 尺寸 IE1	12
Technical data IE2 / 性能数据 IE2	18
Technical data IE3 / 性能数据 IE3	22
Dimensions IE2 and IE3 / 尺寸 IE2 和 IE3	26

3D motor description

Construction

3D 80-400 marine duty motors have stator house and end-shields in cast iron, HT200, and top mounted terminal boxes. The motors are produced according to IEC60034, IEC60072 and IEC60092 standards and are marked with CE.

Voltage and frequency

Motors are available for frequencies of 50 and 60 Hz, at all standard voltages, see motor plate for actual voltage. All motors are wide range wound. The voltage can vary by up to +/- 5%, without derating.

Maintenance

In normal use maintenance is limited to greasing of the bearings. All motors in sizes 160 and larger are fitted with grease nipples as standard. The bearings are lubricated with lithium based grease. Smaller motors have closed bearing housings and sealed bearings and can be considered maintenance free. For severe operating conditions special bearings can be supplied - for example, for high ambient temperature and increased speed.

Enclosure (Degree of Protection)

Motors are produced in degree of protection IP55 as standard, but are also available to other standards.

Insulation class

All motors are wound with Class F material, but calculated with temperature rise according to class B.

Efficiency Level (IE Class)

The Efficiency level is as per customer requirements, IE1, IE2 or IE3. IE4 motors are also available.

Balancing

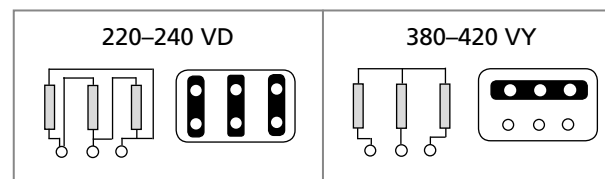
Motors are balanced with a half key. Special degrees of balancing are available on request.

Thermistors

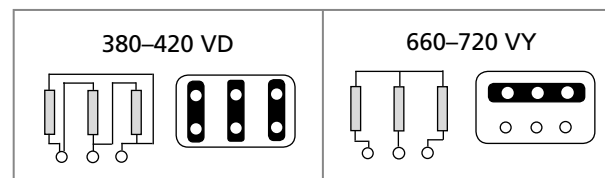
Protection is provided by thermistors fitted in the frame 160 and up in motor windings. Thermistors are temperature sensitive resistors that at a certain temperature have a wide change of resistance. Together with a sensing relay the thermistors can be used e.g. to cut off the supply to the main contactor coil or as a warning.

Connection

Three phase single speed motors can normally be connected for two different voltage ranges (connection in star – higher voltage, or delta – lower voltage) with a ratio of $\sqrt{3}$. This gives a wide application range and simplified management of ordering and stockholding.



a) 220-240 VD/380-420 VY - may be labelled 230/400 V (standard for motors 3 kW and smaller). Suitable for direct on line starting on 380-420 V supplies.



b) 380-420 VD/660-720 VY - may be labelled 400 V (standard for motors 4 kW and larger). Suitable for Star/Delta starting on 380-420 V supplies or direct on line starting on 660-720 V supplies.

Lifting eyebolts

All motors from frame 100 and up are equipped with lifting eyebolts.

Cooling

As standard, the fan and cowl is fitted at the non-drive end (cooling form IC 411). Other cooling methods can be supplied e.g. separately driven cooling fan (often used with inverter drives).

Heaters

Motors used in conditions of wide temperature variation or extreme climatic conditions can be damaged by condensation and dampness in the windings. In motors fitted with heaters, the windings are heated to a few degrees above ambient, which is enough to prevent condensation. BEVI can fit heaters to all motor sizes on request.

Ambient Temperature

The motors can operate at ambient 45°C for marine use and 40°C for industrial use. The motor can also run at higher temperature by derating.

Duty

Continuous duty S1. The motor can also run at S2-S9 duty.

Vibration speed

The vibration speed complies with Class N of IEC60034-14 as standard. Class R and S can also be met if required by customer.

Noise level

The noise level complies with IEC60034-9 as standard.

3D 系列电动机概要

结构

机座号80-400电动机采用HT200铸铁机壳和端盖，接线盒位于顶部，按照IEC60034、IEC60072和IEC60092等标准设计制造，带CE标识。

电压和频率

电动机采用宽电压设计，可以在标准电压下以50Hz或60Hz运行，请参考铭牌上的实际电压。在电压波动 $\pm 5\%$ 范围内不必降容运行。

维护保养

通常电动机的维护保养仅限于轴承的润滑，160及以上机座号的电动机安装有注油嘴，采用锂基润滑脂。其它较小的电动机采取密闭轴承室和密封轴承，不需要进行维护。对于特殊的运行条件，如高温环境或提速运行，应采用特殊的轴承。

防护等级

电动机标准防护等级为IP55，但也可以满足其它防护等级的要求。

绝缘等级

电动机采用F级绝缘材料制造，50Hz运行时温升按B级计算。

效率等级

根据用户要求，电动机效率指标为IE1、IE2或IE3，IE4效率也可以满足要求。

动平衡

电动机采用半键平衡，也可满足特殊的动平衡精度。

热敏电阻

机座号160及以上电机绕组带有热敏电阻，其电阻值随着温度的变化而变化，和继电器一起用以切断电机电源或报警，从而达到保护电机的目的。

吊环

所有100及以上机座号电机带有吊环。

冷却

电动机标准配置为非驱动端带风扇和风扇罩（冷却方式IC 411）。也可提供其它冷却方式，如单独的冷却风机（通常用于变频器驱动）。

加热器

用于温度变化范围较大或恶劣气候条件的电动机，其绕组可能会遭受冷凝或潮湿的破坏。电动机安装加热器，可以将绕组加热到高于环境温度，从而避免产生冷凝。应用户要求BEVI可对所有电动机配备加热器。

使用环境温度

电动机适用于船用45 °C 和工业用40 °C 环境温度，也可通过降容使用于更高的环境温度。

工作制

电动机为连续工作制S1，也可以在S2-S9 工作制下运行。

振动

电动机振动速度符合IEC60034-14 N级的规定，若用户要求，也可满足R级或S级。

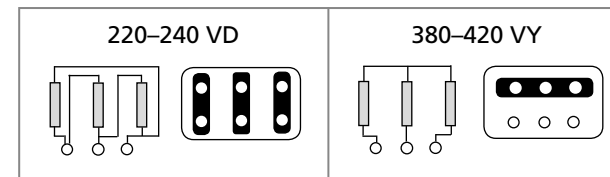
噪声

电动机的噪音符合IEC60034-9的规定。

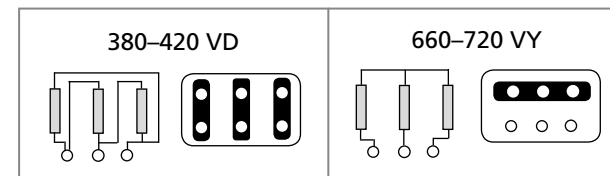
接线

三相单速电动机通常采用两种电压接线（较高电压采用星接，较低电压采用角接），电压比例为 $\sqrt{3}$ 。这样电动机有较广的使用范围，简化了定货和库存管理。

三相单速电动机通常采用两种电压接线（较高电压采用星接，较低电压采用角接），电压比例为 $\sqrt{3}$ 。这样电动机有较广的使用范围，简化了定货和库存管理。



a) 220-240V角接/380-420V星接 – 可以标注为230/400V (3 kW及以下电动机)，适应于380-420V直接线起动。



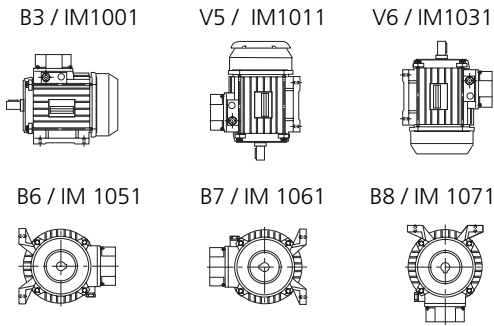
b) 380-420V角接/660-720V星接 – 可以标注为400V 角接 (4 kW及以上电动机)，适应于380-420V星/角接和660-720V直接线起动。



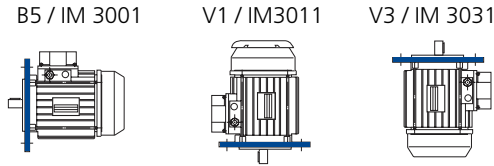
本样本中的数据允许变动，不另行通知。

Mounting arrangements 安装方式

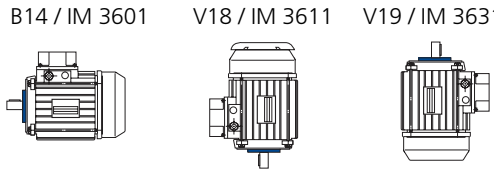
Foot mounting
底脚安装



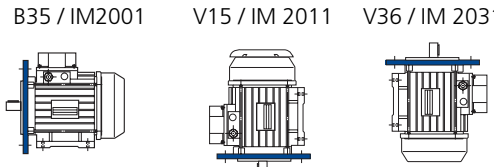
Flange mounting
法兰安装



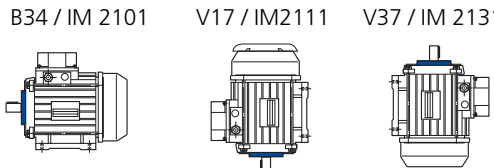
Face mounting
法兰安装



Foot & flange mounting
底脚法兰安装



Foot & face mounting
底脚法兰安装



Design and approvals

We fulfill the requirements of leading classification societies.

BEVI 3D marine duty motors have BV, CCS, DNV-GL and RMRS type approvals as well as ABS PDA and KR drawing approval.

Separate class certificates from ABS, BV, CCS, DNV-GL, KR, LR, NKK, RINA and RS can also be met on request.

设计认可

我们满足各大船级社的要求。

BEVI 3D系列船用电机获得BV、CCS、DNV-GL和RMRS的型式认可以及ABS和KR的产品图纸认可。

应用户要求，我们可提供各大船级社单独的产品证书。

China Classification Society



DNV GL



Bureau Veritas



ABS



Bearing size and cable glands / 轴承及出线口格兰



BUREAU
VERITAS



ClassNK




Frame size 机座号	Poles 极数	Bearing size / 轴承牌号		Cable gland 出线口格兰	Cable gland for PTC/heater PTC或加热器出线口格兰
		DE 轴伸端	NDE 非轴伸端		
80M	2, 4, 6, 8	6204-2Z/C3	6204-2Z/C3	1×M20×1.5	
90S	2, 4, 6, 8	6205-2Z/C3	6205-2Z/C3	1×M20×1.5	
90L	2, 4, 6, 8	6205-2Z/C3	6205-2Z/C3	1×M20×1.5	
100L	2, 4, 6, 8	6206-2Z/C3	6206-2Z/C3	1×M20×1.5	
112M	2, 4, 6, 8	6206-2Z/C3	6206-2Z/C3	2×M25×1.5	
132S	2, 4, 6, 8	6208-2Z/C3	6208-2Z/C3	2×M25×1.5	
132M	2, 4, 6, 8	6208-2Z/C3	6208-2Z/C3	2×M25×1.5	
160M	2, 4, 6, 8	6309/C3	6309/C3	2×M40×1.5	M20×1.5
160L	2, 4, 6, 8	6309/C3	6309/C3	2×M40×1.5	M20×1.5
180M	2, 4, 6, 8	6311/C3	6311/C3	2×M40×1.5	M20×1.5
180L	2, 4, 6, 8	6311/C3	6311/C3	2×M40×1.5	M20×1.5
200L	2, 4, 6, 8	6312/C3	6312/C3	2×M50×1.5	M20×1.5
225S	4, 6, 8	6313/C3	6313/C3	2×M50×1.5	M20×1.5
225M	2	6312/C3	6312/C3	2×M50×1.5	M20×1.5
225M	4, 6, 8	6313/C3	6313/C3	2×M50×1.5	M20×1.5
250M	2	6314/C3	6314/C3	2×M63×1.5	M20×1.5
250M	4, 6, 8	6314/C3	6314/C3	2×M63×1.5	M20×1.5
280S	2	6316/C3	6316/C3	2×M63×1.5	M20×1.5
280S	4, 6, 8	6316/C3	6316/C3	2×M63×1.5	M20×1.5
280M	2	6316/C3	6316/C3	2×M63×1.5	M20×1.5
280M	4, 6, 8	6316/C3	6316/C3	2×M63×1.5	M20×1.5
315S	2	6316/C3	6316/C3	2×M63×1.5	M20×1.5
315S	4, 6, 8	6319/C3	6319/C3	2×M63×1.5	M20×1.5
315M	2	6316/C3	6316/C3	2×M63×1.5	M20×1.5
315M	4, 6, 8	6319/C3	6319/C3	2×M63×1.5	M20×1.5
315L	2	6316/C3	6316/C3	2×M63×1.5	M20×1.5
315L	4, 6, 8	6319/C3	6319/C3	2×M63×1.5	M20×1.5
355M	2	6319/C3	6319/C3	2×M63×1.5	M20×1.5
355M	4, 6, 8	6322/C3	6319/C3	2×M63×1.5	M20×1.5
355L	2	6319/C3	6319/C3	2×M63×1.5	M20×1.5
355L	4, 6, 8	6322/C3	6319/C3	2×M63×1.5	M20×1.5
Option / 可选轴承 Bearings at V1-mounting / 可选择的V1安装的轴承牌号 (Standard bearings as above also at V1-mounting / 上述轴承也适应于V1安装)					
250-V1	2, 4, 6, 8	7314BEP	6314/C3	2×63×1.5	M20×1.5
280-V1	2, 4, 6, 8	7316BEP	6316/C3	2×63×1.5	M20×1.5
315-V1	2	7316BEP	6316/C3	2×63×1.5	M20×1.5
315-V1	4, 6, 8	7319BEP	6319/C3	2×63×1.5	M20×1.5
355-V1	2	7319BEP	6319/C3	2×63×1.5	M20×1.5
355-V1	4, 6, 8	7322BEP	6319/C3	2×63×1.5	M20×1.5


Warning:
Please refer to the nameplate data when replacing bearing.

注意:
更换轴承时请参考铭牌上的轴承牌号


Technical data IE1 / 性能数据 IE1

Number of poles 极数 	Power kW 60Hz 功率	Full load speed rpm 60Hz 满载转速	Full load current (A) 440-480V 440V 60Hz 满载电流 (A) 60Hz	Power kW 50Hz 功率	Full load speed rpm 50Hz 满载转速	Full load current (A) 满载电流 (A) 50Hz			Efficiency % 效率	Power factor cos φ 功率因数	Starting current ratio Ia/In 起动电流倍数	Starting torque ratio Ma/Mn 起动转矩倍数	Pull out torque ratio Mmax/Mn 最大转矩倍数	Moment of inertia kg m ² 转动惯量	Mass (B3) kg 重量
						220-240V 230V	380-420V 400V	690V							
3D 801-2	0.9	3414	1.90	0.75	2845	3.01	1.74		75.0	0.83	6.1	2.2	2.3	0.0008	12
3D 802-2	1.32	3408	2.71	1.1	2840	4.30	2.48		76.2	0.84	7.0	2.2	2.3	0.0010	14
3D 90 S-2	1.8	3408	3.58	1.5	2840	5.68	3.28		78.5	0.84	7.0	2.2	2.3	0.0015	18
3D 90 L-2	2.64	3408	5.03	2.2	2840	7.98	4.61		81.0	0.85	7.0	2.2	2.3	0.0021	24
3D 100 L-2	3.6	3432	6.58	3	2860	10.44	6.03		82.6	0.87	7.5	2.2	2.3	0.0031	30
3D 112 M1-2	4.8	3456	8.51	4	2880		7.8	4.5	84.2	0.88	7.5	2.2	2.3	0.0058	40
3D 112 M2-2	6.6	3480	11.5	5.5	2900		10.5	6.1	85.7	0.88	7.5	2.2	2.3	0.0113	54
3D 132 S1-2	6.6	3480	11.5	5.5	2900		10.5	6.1	85.7	0.88	7.5	2.2	2.3	0.0113	56
3D 132 S2-2	9	3480	15.4	7.5	2900		14.1	8.1	87.0	0.88	7.5	2.2	2.3	0.0133	60
3D 132 M-2	13.2	3516	22.0	11	2930		20.2	11.7	88.4	0.89	7.5	2.2	2.3	0.0443	90
3D 160 M1-2	13.2	3516	22.0	11	2930		20.2	11.7	88.4	0.89	7.5	2.2	2.3	0.0443	102
3D 160 M2-2	18	3516	29.7	15	2930		27.2	15.7	89.4	0.89	7.5	2.2	2.3	0.0549	114
3D 160 L-2	22.2	3516	36.0	18.5	2930		33.0	19.1	90.0	0.90	7.5	2.2	2.3	0.0620	128
3D 180 M-2	26.4	3528	42.5	22	2940		39.0	22.5	90.5	0.90	7.5	2.0	2.3	0.0853	166
3D 200 L1-2	36	3540	57.4	30	2950		52.6	30.4	91.4	0.90	7.5	2.0	2.3	0.1530	230
3D 200 L2-2	44.4	3540	70.4	37	2950		64.5	37.2	92.0	0.90	7.5	2.0	2.3	0.1780	244
3D 225 M-2	54	3552	85.1	45	2960		78.0	45.0	92.5	0.90	7.5	2.0	2.3	0.2770	286
3D 250 M1-2	66	3558	103.4	55	2965		94.8	54.7	93.0	0.90	7.5	2.0	2.3	0.3880	382
3D 250 M2-2	90	3564	140.2	75	2970		128.5	74.2	93.6	0.90	7.5	2.0	2.3	0.5740	410
3D 280 S-2	90	3564	140.2	75	2970		128.5	74.2	93.6	0.90	7.5	2.0	2.3	0.5740	508
3D 280 M1-2	108	3564	165.8	90	2970		152.0	87.8	93.9	0.91	7.5	2.0	2.3	0.6770	544
3D 280 M2-2	132	3576	202.5	110	2980		185.6	107.2	94.0	0.91	7.1	1.8	2.2	1.4000	730
3D 315 S-2	132	3576	202.5	110	2980		185.6	107.2	94.0	0.91	7.1	1.8	2.2	1.4000	868
3D 315 M-2	158.4	3576	241.7	132	2980		221.6	127.9	94.5	0.91	7.1	1.8	2.2	1.5700	908
3D 315 L1-2	192	3576	289.5	160	2980		265.4	153.2	94.6	0.92	7.1	1.8	2.2	1.7600	1014
3D 315 L2-2	240	3576	361.1	200	2980		331.0	191.1	94.8	0.92	7.1	1.8	2.2	2.3500	1162
3D 355 M-2	399	3576	449.5	250	2980		412.0	237.9	95.2	0.92	7.1	1.6	2.2	3.2500	1616
3D 355 L1-2	378	3576	565.1	315	2980		518.0	299.1	95.4	0.92	7.1	1.6	2.2	3.9300	1806
3D 355 L2-2	426	3578	651.3	355	2982		597	344.7	95.3	0.90	7.5	1.6	2.4	7.4500	2240
3D 400 M1-2	426	3578	651.3	355	2982		597	344.7	95.3	0.90	7.5	1.55	2.4	7.4500	2450
3D 400 M2-2	480	3578	716.7	400	2982		657	379.3	95.9	0.92	5.80	1.23	2.80	12.520	2604
3D 400 L1-2	540	3578	804.0	450	2982		737	425.5	95.9	0.92	7.11	1.64	2.7	13.260	3035
3D 400 L2-2	600	3578	888.0	500	2982		814	470.0	96.0	0.92	6.42	1.47	2.8	14.210	3122
3D 400 L3-2	672	3578	990.5	560	2982		908	524.2	96.0	0.92	5.74	1.31	2.7	14.950	3588
3D 400 L4-2	756	3578	1111.6	630	2982		1019	588.3	96.1	0.93	7.27	1.83	2.8	15.670	3987


Technical data IE1 / 性能数据 IE1

Number of poles 极数 	Power kW 60Hz 功率	Full load speed rpm 60Hz 满载转速	Full load current (A) 440-480V 440V 60Hz 满载电流 (A) 60Hz	Power kW 50Hz 功率	Full load speed rpm 50Hz 满载转速	Full load current (A) 满载电流 (A) 50Hz			Efficiency % 效率	Power factor cos φ 功率因数	Starting current ratio Ia/In 起动电流倍数	Starting torque ratio Ma/Mn 起动转矩倍数	Pull out torque ratio Mmax/Mn 最大转矩倍数	Moment of inertia kg m ² 转动惯量	Mass (B3) kg 重量
						220-240V 230V	380-420V 400V	690V							
3D 80 1-4	0.66	1668	1.63	0.55	1390	2.58	1.49		71.0	0.75	5.2	2.4	2.3	0.0013	14
3D 80 2-4	0.9	1656	2.13	0.75	1380	3.38	1.95		73.0	0.76	6.0	2.3	2.3	0.0017	16
3D 90 S-4	1.32	1668	2.96	1.1	1390	4.69	2.71		76.2	0.77	6.0	2.3	2.3	0.0026	18
3D 90 L-4	1.8	1668	3.81	1.5	1390	6.04	3.49		78.5	0.79	6.0	2.3	2.3	0.0035	22
3D 100 L1-4	2.64	1692	5.28	2.2	1410	8.38	4.84		81.0	0.81	7.0	2.3	2.3	0.0065	30
3D 100 L2-4	3.6	1692	6.97	3	1410	11.07	6.39		82.6	0.82	7.0	2.3	2.3	0.0088	32
3D 112 M 1-4	4.8	1722	9.12	4	1435		8.36	4.8	84.2	0.82	7.0	2.3	2.3	0.0098	42
3D 112 M 2-4	6.6	1728	12.2	5.5	1440		11.2	6.5	85.7	0.83	7.0	2.3	2.3	0.0254	55
3D 132 S-4	6.6	1728	12.2	5.5	1440		11.2	6.5	85.7	0.83	7.0	2.3	2.3	0.0254	56
3D 132 M1-4	9	1728	16.1	7.5	1440		14.8	8.5	87.0	0.84	7.0	2.3	2.3	0.0351	70
3D 132 M2-4	13.2	1752	23.3	11	1460		21.4	12.4	88.4	0.84	7.0	2.2	2.3	0.0798	87
3D 160 M-4	13.2	1752	23.3	11	1460		21.4	12.4	88.4	0.84	7.0	2.2	2.3	0.0798	106
3D 160 L-4	18	1752	31.1	15	1460		28.5	16.5	89.4	0.85	7.5	2.2	2.3	0.1060	130
3D 180 M-4	22.2	1764	37.6	18.5	1470		34.5	19.9	90.0	0.86	7.5	2.2	2.3	0.1470	162
3D 180 L-4	26.4	1764	44.5	22	1470		40.8	23.6	90.5	0.86	7.5	2.2	2.3	0.1640	180
3D 200 L-4	36	1764	60.1	30	1470		55.1	31.8	91.4	0.86	7.2	2.2	2.3	0.2680	234
3D 225 S-4	44.4	1770	72.8	37	1475		66.7	38.5	92.0	0.87	7.2	2.2	2.3	0.4580	278
3D 225 M-4	54	1770	88.0	45	1475		80.7	46.6	92.5	0.87	7.2	2.2	2.3	0.5600	314
3D 250 M1-4	66	1776	107.0	55	1480		98.1	56.6	93.0	0.87	7.2	2.2	2.3	0.7730	406
3D 250 M2-4	90	1776	145.1	75	1480		133.0	76.8	93.6	0.87	7.2	2.2	2.3	1.2300	477
3D 280 S-4	90	1776	145.1	75	1480		133.0	76.8	93.6	0.87	7.2	2.2	2.3	1.2300	512
3D 280 M1-4	108	1776	173.5	90	1480		159.0	91.8	93.9	0.87	7.2	2.2	2.3	1.5400	606
3D 280 M2-4	132	1776	208.3	110	1480		190.9	110.2	94.5	0.88	6.9	2.1	2.2	2.9700	731
3D 315 S-4	132	1776	208.3	110	1480		190.9	110.2	94.5	0.88	6.9	2.1	2.2	2.9700	898
3D 315 M-4	158.4	1776	249.2	132	1480		228.4	131.9	94.8	0.88	6.9	2.1	2.2	3.3400	956
3D 315 L1-4	192	1776	298.3	160	1480		273.4	157.9	94.9	0.89	6.9	2.1	2.2	4.0300	1064
3D 315 L2-4	240	1776	372.9	200	1480		341.8	197.3	94.9	0.89	6.9	2.1	2.2	4.8800	1212
3D 355 M-4	300	1788	459.5	250	1490		421.2	243.2	95.2	0.90	6.9	2.1	2.2	8.3300	1643
3D 355 L1-4	378	1788	578.9	315	1490		530.7	306.4	95.2	0.90	6.9	2.1	2.2	10.510	1818
3D 355 L2-4	426	1788	657.8	355	1490		603	348.2	95.7	0.90	7.5	2.3	2.4	11.200	2000
3D 400 M1-4	480	1790	726.5	400	1492		666	384.5	96.0	0.90	6.61	1.92	2.75	14.950	2786
3D 400 M2-4	540	1790	818.2	450	1492		750	433.0	96.1	0.90	6.84	2.03	2.81	15.630	3122
3D 400 L1-4	600	1790	906.5	500	1492		831	479.8	96.4	0.90	6.19	1.83	2.52	18.410	3132
3D 400 L2-4	672	1790	1008.0	560	1492		924	533.5	96.4	0.90	6.64	2.02	2.67	19.620	3548
3D 400 L3-4	756	1790	1137.8	630	1492		1043	602.2	96.4	0.91	5.81	1.75	2.34	21.330	3589

Technical data IE1 / 性能数据 IE1

Number of poles 极数 	Power kW 60Hz 功率	Full load speed rpm 60Hz 满载转速	Full load current (A) 440-480V 440V 60Hz 满载电流 (A) 60Hz	Power kW 50Hz 功率	Full load speed rpm 50Hz 满载转速	Full load current (A) 满载电流 (A) 50Hz			Efficiency % 效率	Power factor cos φ 功率因数	Starting current ratio Ia/I _n 起动电流倍数	Starting torque ratio Ma/M _n 起动转矩倍数	Pull out torque ratio Mmax/M _n 最大转矩倍数	Moment of inertia kg m ² 转动惯量	Mass (B3) kg 重量
						220-240V 230V	380-420V 400V	690V							
3D 80 1-6	0.44	1062	1.34	0.37	885	2.13	1.23		62.0	0.70	4.7	1.9	2.0	0.0017	15
3D 80 2-6	0.66	1062	1.85	0.55	885	2.94	1.70		65.0	0.72	4.7	1.9	2.1	0.0022	16
3D 90 S-6	0.9	1092	2.38	0.75	910	3.78	2.18		69.0	0.72	5.5	2.0	2.1	0.0033	20
3D 90 L-6	1.32	1092	3.29	1.1	910	5.23	3.02		72.0	0.73	5.5	2.0	2.1	0.0045	22
3D 100 L-6	1.8	1104	4.15	1.5	920	6.58	3.80		76.0	0.75	5.5	2.0	2.1	0.0081	28
3D 112 M-6	2.64	1122	5.78	2.2	935	9.18	5.30		79.0	0.76	6.5	2.0	2.1	0.0150	38
3D 132 S-6	3.6	1152	7.67	3	960	12.18	7.03		81.0	0.76	6.5	2.1	2.1	0.0290	58
3D 132 M1-6	4.8	1152	10.1	4	960		9.3	5.4	82.0	0.76	6.5	2.1	2.1	0.0390	68
3D 132 M2-6	6.6	1152	13.4	5.5	960		12.3	7.1	84.0	0.77	6.5	2.1	2.1	0.0530	76
3D 160 M-6	9	1164	17.8	7.5	970		16.3	9.4	86.0	0.77	6.5	2.0	2.1	0.0897	106
3D 160 L-6	13.2	1164	25.4	11	970		23.3	13.5	87.5	0.78	6.5	2.0	2.1	0.1270	130
3D 180 L-6	18	1164	32.7	15	970		30.0	17.3	89.0	0.81	7.0	2.0	2.1	0.2140	176
3D 200 L1-6	22.2	1176	39.9	18.5	980		36.6	21.1	90.0	0.81	7.0	2.1	2.1	0.3190	216
3D 200 L2-6	26.4	1176	46.4	22	980		42.5	24.5	90.0	0.83	7.0	2.1	2.1	0.3690	226
3D 225 M-6	36	1176	61.4	30	980		56.3	32.5	91.5	0.84	7.0	2.0	2.1	0.5860	292
3D 250 M-6	44.4	1176	73.6	37	980		67.5	39.0	92.0	0.86	7.0	2.1	2.1	0.9400	364
3D 280 S-6	54	1176	89.0	45	980		81.6	47.1	92.5	0.86	7.0	2.1	2.0	1.7100	472
3D 280 M-6	66	1176	108.5	55	980		99.5	57.4	92.8	0.86	7.0	2.1	2.0	2.1500	512
3D 315 S-6	90	1176	146.8	75	980		134.6	77.7	93.5	0.86	7.0	2.0	2.0	3.4500	806
3D 315 M-6	108	1176	175.6	90	980		161.0	93.0	93.8	0.86	7.0	2.0	2.0	4.0800	958
3D 315 L1-6	132	1176	214.3	110	980		196.4	113.4	94.0	0.86	6.7	2.0	2.0	5.0600	990
3D 315 L2-6	158.4	1176	253.6	132	980		232.5	134.2	94.2	0.87	6.7	2.0	2.0	5.8400	1050
3D 355 M1-6	192	1188	302.2	160	990		277.0	159.9	94.5	0.88	6.7	1.9	2.0	9.5300	1634
3D 355 M2-6	240	1188	378.5	200	990		347.0	200.3	94.5	0.88	6.7	1.9	2.0	11.800	1772
3D 355 L-6	300	1188	472.4	250	990		433.0	250.0	94.5	0.88	6.7	1.9	2.0	14.800	1784
3D 400 M1-6	378	1193	602.2	315	994		552	318.7	95.8	0.86	5.91	1.83	2.3	18.210	3003
3D 400 M2-6	426	1193	680.7	355	994		624	360.3	95.9	0.86	5.89	1.86	2.3	19.320	3410
3D 400 L1-6	480	1193	764.7	400	994		701	404.7	95.9	0.86	6.38	2.08	2.5	21.860	3558
3D 400 L2-6	540	1193	854.2	450	994		783	452.1	95.9	0.86	6.31	2.07	2.4	22.310	3841
3D 400 L3-6	600	1193	950.2	500	994		871	502.9	96.1	0.86	5.72	1.86	2.2	23.520	3866
3D 400 L4-6	672	1193	1045.1	560	994		958	553.1	96.1	0.86	5.88	1.95	2.2	24.460	4140

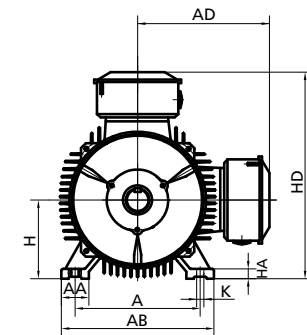
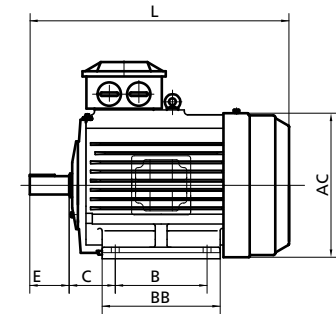
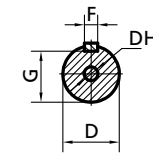
Technical data IE1 / 性能数据 IE1

Number of poles 极数 	Power kW 60Hz 功率	Full load speed rpm 60Hz 满载转速	Full load current (A) 440-480V 440V 60Hz 满载电流 (A) 60Hz	Power kW 50Hz 功率	Full load speed rpm 50Hz 满载转速	Full load current (A) 满载电流 (A) 50Hz			Efficiency % 效率	Power factor cos φ 功率因数	Starting current ratio Ia/I _n 启动电流倍数	Starting torque ratio M _a /M _n 启动转矩倍数	Pull out torque ratio M _{max} /M _n 最大转矩倍数	Moment of inertia kg m ² 转动惯量	Mass (B3) kg 重量
						220-240V 230V	380-420V 400V	690V							
3D 80 1-8	0.21	774	0.92	0.18	645	1.45	0.84		51.0	0.61	3.3	1.8	1.9	0.0020	16
3D 80 2-8	0.3	774	1.20	0.25	645	1.91	1.10		54.0	0.61	3.3	1.8	1.9	0.0024	18
3D 90 5-8	0.44	804	1.54	0.37	670	2.44	1.41		62.0	0.61	4.0	1.8	1.9	0.0039	26
3D 90 L-8	0.66	804	2.26	0.55	670	3.59	2.07		63.0	0.61	4.0	1.8	2.0	0.0048	28
3D 100 L1-8	0.9	816	2.49	0.75	680	3.95	2.28		71.0	0.67	4.0	1.8	2.0	0.0072	30
3D 100 L2-8	1.32	816	3.44	1.1	680	5.46	3.15		73.0	0.69	5.0	1.8	2.0	0.0081	32
3D 112 M-8	1.8	828	4.56	1.5	690	7.24	4.18		75.0	0.69	5.0	1.8	2.0	0.0140	40
3D 132 S-8	2.64	846	6.25	2.2	705	9.92	5.73		78.0	0.71	6.0	1.8	2.0	0.0320	58
3D 132 M-8	3.6	846	8.2	3	705	13.0	7.5		79.0	0.73	6.0	1.8	2.0	0.0392	68
3D 160 M1-8	4.8	864	10.6	4	720		9.76	5.6	81.0	0.73	6.0	1.9	2.0	0.0635	98
3D 160 M2-8	6.6	864	14.1	5.5	720		12.9	7.4	83.0	0.74	6.0	2.0	2.0	0.0897	110
3D 160 L-8	9	864	18.4	7.5	720		16.9	9.8	85.5	0.75	6.0	2.0	2.0	0.1270	132
3D 180 L-8	13.2	876	26.1	11	730		23.9	13.8	87.5	0.76	6.6	2.0	2.0	0.2140	176
3D 200 L-8	18	876	35.3	15	730		32.4	18.7	88.0	0.76	6.6	2.0	2.0	0.3490	232
3D 225 S-8	22.2	876	42.5	18.5	730		39.0	22.5	90.0	0.76	6.6	1.9	2.0	0.5200	268
3D 225 M-8	26.4	876	49.1	22	730		45.0	26.0	90.5	0.78	6.6	1.9	2.0	0.6200	288
3D 250 M-8	36	882	65.7	30	735		60.2	34.8	91.0	0.79	6.6	1.9	2.0	0.8900	372
3D 280 S-8	44.4	882	80.6	37	735		73.9	42.7	91.5	0.79	6.6	1.9	2.0	1.7100	472
3D 280 M-8	54	882	97.5	45	735		89.4	51.6	92.0	0.79	6.6	1.9	2.0	2.1500	530
3D 315 S-8	66	882	115.2	55	735		105.6	61.0	92.8	0.81	6.6	1.8	2.0	3.7900	804
3D 315 M-8	90	882	156.8	75	735		143.7	83.0	93.0	0.81	6.6	1.8	2.0	5.2000	1000
3D 315 L1-8	108	882	184.3	90	735		168.9	97.5	93.8	0.82	6.6	1.8	2.0	6.1900	1018
3D 315 L2-8	132	882	224.7	110	735		206.0	118.9	94.0	0.82	6.4	1.8	2.0	7.2600	1118
3D 355 M1-8	158.4	888	270.5	132	740		248.0	143.2	93.7	0.82	6.4	1.8	2.0	11.850	1584
3D 355 M2-8	192	888	326.2	160	740		299.0	172.6	94.2	0.82	6.4	1.8	2.0	14.500	1734
3D 355 L-8	240	888	401.5	200	740		368.0	212.5	94.5	0.83	6.4	1.8	2.0	18.120	1850
3D 400 M1-8	300	894	496.4	250	745		455.0	262.7	95.3	0.84	6.29	1.85	2.48	25.630	2914
3D 400 M2-8	336	894	548.7	280	745		503.0	290.4	95.3	0.84	5.90	1.71	2.31	26.520	3070
3D 400 L1-8	378	894	617.5	315	745		566.0	326.8	95.5	0.85	6.13	1.81	2.38	27.860	3392
3D 400 L2-8	426	894	699.3	355	745		641.0	370.1	95.6	0.85	5.84	1.72	2.25	29.760	3592
3D 400 L3-8	480	888	788.7	400	740		723.0	417.4	95.6	0.85	6.39	1.96	2.44	31.340	3949

Dimensions IE1 / 尺寸 IE1

B3

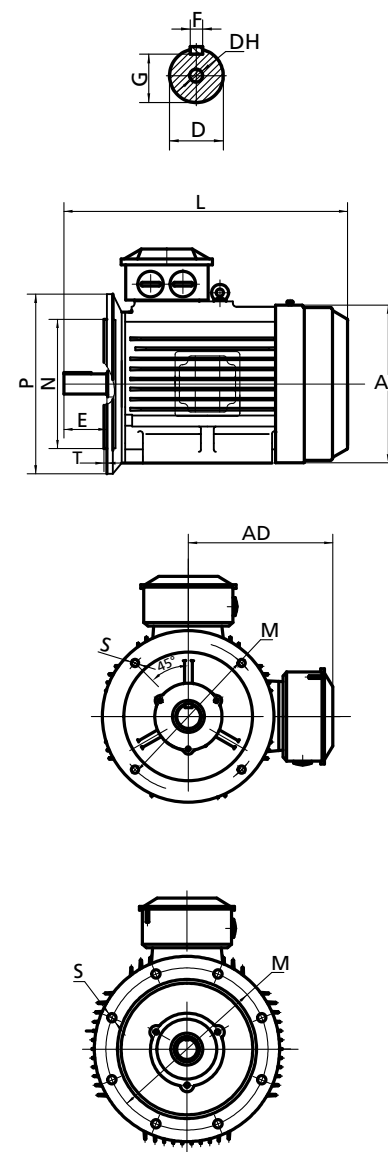
Frame size	Poles	A	B	C	D	E	F	G	DH	H	K	AA	AB	AC	AD	BB	HA	HD	LD	L
80M	2, 4, 6, 8	125	100	50	19	40	6	15.5	M6x16	80	10	32	165	165	165	130	9	225	118	295
90S	2, 4, 6, 8	140	100	56	24	50	8	20	M8x19	90	10	34	180	180	175	140	10	236	132	315
90L	2, 4, 6, 8	140	125	56	24	50	8	20	M8x19	90	10	34	180	180	175	165	10	236	132	340
100L	2, 4, 6, 8	160	140	63	28	60	8	24	M10x22	100	12	39	205	205	200	185	11	275	143	385
112M	2, 4, 6, 8	190	140	70	28	60	8	24	M10x22	112	12	45	230	240	220	185	13	300	147	400
132S	2, 4, 6, 8	216	140	89	38	80	10	33	M12x28	132	12	55	270	275	240	190	15	340	182	470
132M	2, 4, 6, 8	216	178	89	38	80	10	33	M12x28	132	12	55	270	275	240	230	15	340	182	500
160M	2, 4, 6, 8	254	210	108	42	110	12	37	M16x36	160	14.5	65	320	320	285	260	20	430	259	610
160L	2, 4, 6, 8	254	254	108	42	110	12	37	M16x36	160	14.5	65	320	320	285	304	20	430	259	655
180M	2, 4, 6, 8	279	241	121	48	110	14	42.5	M16x36	180	14.5	70	355	380	310	311	22	465	271	690
180L	2, 4, 6, 8	279	279	121	48	110	14	42.5	M16x36	180	14.5	70	355	380	310	349	22	465	271	730
200L	2, 4, 6, 8	318	305	133	55	110	16	49	M20x42	200	18.5	74	395	410	335	375	25	520	296	775
225S	4, 6, 8	356	286	149	60	140	18	53	M20x42	225	18.5	78	435	470	370	370	28	565	329	815
225M	2	356	311	149	55	110	16	49	M20x42	225	18.5	78	435	470	370	395	28	565	329	800
	4, 6, 8	356	311	149	60	140	18	53	M20x42	225	18.5	78	435	470	370	395	28	565	329	830
250M	2	406	349	168	60	140	18	53	M20x42	250	24	80	490	490	380	445	30	620	347	930
	4, 6, 8	406	349	168	65	140	18	58	M20x42	250	24	80	490	490	380	445	30	620	347	930
280S	2	457	368	190	65	140	18	58	M20x42	280	24	90	550	580	410	490	35	695	350	981
	4, 6, 8	457	368	190	75	140	20	67.5	M20x42	280	24	90	550	580	410	490	35	695	350	981
280M	2	457	419	190	65	140	18	58	M20x42	280	24	90	550	580	410	540	35	695	350	1032
	4, 6, 8	457	419	190	75	140	20	67.5	M20x42	280	24	90	550	580	410	540	35	695	350	1032
315S	2	508	406	216	65	140	18	58	M20x42	315	28	112	630	645	535	570	45	850	397	1210
	4, 6, 8, 10	508	406	216	80	170	22	71	M20x42	315	28	112	630	645	535	570	45	850	427	1240
315M	2	508	457	216	65	140	18	58	M20x42	315	28	112	630	645	535	680	45	860	397	1295
	4, 6, 8, 10	508	457	216	80	170	22	71	M20x42	315	28	112	630	645	535	680	45	860	427	1325
315L	2	508	508	216	65	140	18	58	M20x42	315	28	112	630	645	535	680	45	860	397	1295
	4, 6, 8, 10	508	508	216	80	170	22	71	M20x42	315	28	112	630	645	535	680	45	860	427	1325
355M	2	610	560	254	75	140	20	67.5	M20x42	355	28	115	730	720	650	760	52	965	424	1495
	4, 6, 8, 10	610	560	254	95	170	25	86	M24x47	355	28	115	730	720	650	760	52	965	454	1555
355L	2	610	630	254	75	140	20	67.5	M20x42	355	28	115	730	720	650	760	52	1065	424	1495
	4, 6, 8, 10	610	630	254	95	170	25	86	M24x47	355	28	115	730	720	650	760	52	1065	454	1555
400	2	686	630/710	280	85	170	22	76	M24x47	400	35	120	806	860	710	1100	52	1100	588	1845
	4, 6, 8	686	630/710	280	120	210	32	109	M24x47	400	35	120	806	860	710	1100	52	1100	588	1885



Dimensions IE1 / 尺寸 IE1

B5

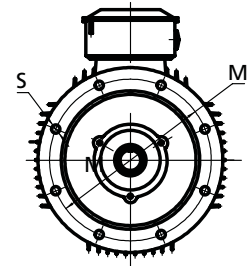
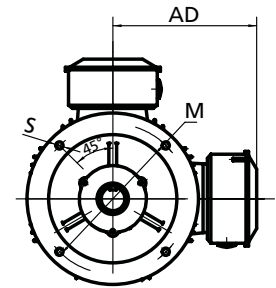
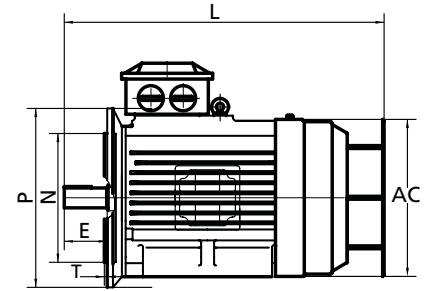
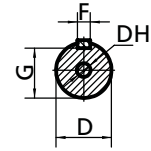
Frame size	Poles	D	E	F	G	DH	H	M	N	P	S	T	AC	LA	LD	L
80M	2, 4, 6, 8	19	40	6	15.5	M6x16	80	165	130	200	12	3.5	165	12	118	295
90S	2, 4, 6, 8	24	50	8	20	M8x19	90	165	130	200	12	3.5	180	12	132	315
90L	2, 4, 6, 8	24	50	8	20	M8x19	90	165	130	200	12	3.5	180	12	132	340
100L	2, 4, 6, 8	28	60	8	24	M10x22	100	215	180	250	14.5	4	205	13	143	385
112M	2, 4, 6, 8	28	60	8	24	M10x22	112	215	180	250	14.5	4	240	14	147	400
132S	2, 4, 6, 8	38	80	10	33	M12x28	132	265	230	300	14.5	4	275	14	182	470
132M	2, 4, 6, 8	38	80	10	33	M12x28	132	265	230	300	14.5	4	275	14	182	500
160M	2, 4, 6, 8	42	110	12	37	M16x36	160	300	250	350	18.5	5	320	15	259	610
160L	2, 4, 6, 8	42	110	12	37	M16x36	160	300	250	350	18.5	5	320	15	259	655
180M	2, 4, 6, 8	48	110	14	42.5	M16x36	180	300	250	350	18.5	5	380	15	271	690
180L	2, 4, 6, 8	48	110	14	42.5	M16x36	180	300	250	350	18.5	5	380	15	271	730
200L	2, 4, 6, 8	55	110	16	49	M20x42	200	350	300	400	18.5	5	410	17	296	775
225S	4, 6, 8	60	140	18	53	M20x42	225	400	350	450	18.5	5	470	20	329	815
225M	2	55	110	16	49	M20x42	225	400	350	450	18.5	5	470	20	329	800
	4,6,8	60	140	18	53	M20x42	225	400	350	450	18.5	5	470	20	329	830
250M	2	60	140	18	53	M20x42	250	500	450	550	18.5	5	490	22	347	930
	4, 6, 8	65	140	18	58	M20x42	250	500	450	550	18.5	5	490	22	347	930
280S	2	65	140	18	58	M20x42	280	500	450	550	18.5	5	580	22	350	981
	4, 6, 8	75	140	20	67.5	M20x42	280	500	450	550	18.5	5	580	22	350	981
280M	2	65	140	18	58	M20x42	280	500	450	550	18.5	5	580	22	350	1032
	4, 6, 8	75	140	20	67.5	M20x42	280	500	450	550	18.5	5	580	22	350	1032
315S	2	65	140	18	58	M20x42	315	600	550	660	24	6	645	22	397	1210
	4, 6, 8, 10	80	170	22	71	M20x42	315	600	550	660	24	6	645	22	427	1240
315M	2	65	140	18	58	M20x42	315	600	550	660	24	6	645	22	397	1295
	4, 6, 8, 10	80	170	22	71	M20x42	315	600	550	660	24	6	645	22	427	1325
315L	2	65	140	18	58	M20x42	315	600	550	660	24	6	645	22	397	1295
	4, 6, 8, 10	80	170	22	71	M20x42	315	600	550	660	24	6	645	22	427	1325
355M	2	75	140	20	67.5	M20x42	355	740	680	800	24	6	720	22	424	1495
	4, 6, 8, 10	95	170	25	86	M24x47	355	740	680	800	24	6	720	25	454	1555
355L	2	75	140	20	67.5	M20x42	355	740	680	800	24	6	720	25	424	1515
	4,6,8,10	95	170	25	86	M24x47	355	740	680	800	24	6	720	25	454	1555



Dimensions IE1 / 尺寸 IE1

V1

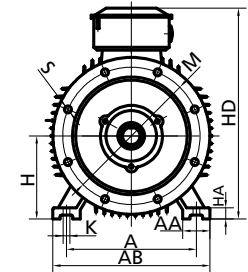
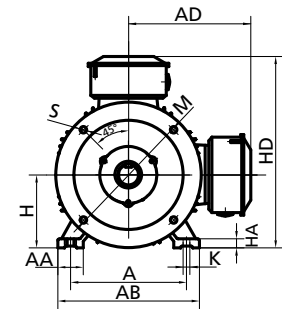
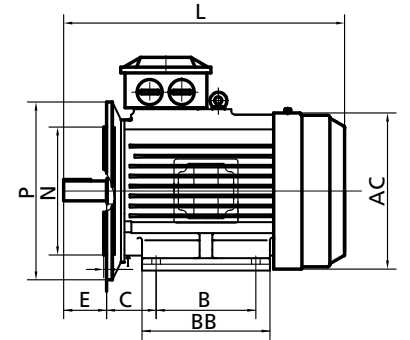
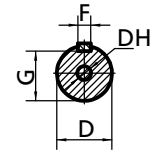
Frame size	Poles	D	E	F	G	DH	H	M	N	P	S	T	AC	LA	LD	L	L
80M	2, 4, 6, 8	19	40	6	15.5	M6x16	80	165	130	200	12	3.5	165	12	118	320	320
90S	2, 4, 6, 8	24	50	8	20	M8x19	90	165	130	200	12	3.5	180	12	132	340	340
90L	2, 4, 6, 8	24	50	8	20	M8x19	90	165	130	200	12	3.5	180	12	132	365	365
100L	2, 4, 6, 8	28	60	8	24	M10x22	100	215	180	250	14.5	4	205	13	143	415	415
112M	2, 4, 6, 8	28	60	8	24	M10x22	112	215	180	250	14.5	4	240	14	147	430	430
132S	2, 4, 6, 8	38	80	10	33	M12x28	132	265	230	300	14.5	4	275	14	182	510	510
132M	2, 4, 6, 8	38	80	10	33	M12x28	132	265	230	300	14.5	4	275	14	182	540	540
160M	2, 4, 6, 8	42	110	12	37	M16x36	160	300	250	350	18.5	5	320	15	259	660	660
160L	2, 4, 6, 8	42	110	12	37	M16x36	160	300	250	350	18.5	5	320	15	259	705	705
180M	2, 4, 6, 8	48	110	14	42.5	M16x36	180	300	250	350	18.5	5	380	15	271	750	750
180L	2, 4, 6, 8	48	110	14	42.5	M16x36	180	300	250	350	18.5	5	380	15	271	790	790
200L	2, 4, 6, 8	55	110	16	49	M20x42	200	350	300	400	18.5	5	410	17	296	845	845
225S	4, 6, 8	60	140	18	53	M20x42	225	400	350	450	18.5	5	470	20	329	905	905
225M	2	55	110	16	49	M20x42	225	400	350	450	18.5	5	470	20	329	890	890
	4, 6, 8	60	140	18	53	M20x42	225	400	350	450	18.5	5	470	20	329	920	920
250M	2	60	140	18	53	M20x42	250	500	450	550	18.5	5	490	22	347	1035	1035
	4, 6, 8	65	140	18	58	M20x42	250	500	450	550	18.5	5	490	22	347	1035	1035
280S	2	65	140	18	58	M20x42	280	500	450	550	18.5	5	580	22	350	1096	1096
	4, 6, 8	75	140	20	67.5	M20x42	280	500	450	550	18.5	5	580	22	350	1096	1096
280M	2	65	140	18	58	M20x42	280	500	450	550	18.5	5	580	22	350	1147	1147
	4, 6, 8	75	140	20	67.5	M20x42	280	500	450	550	18.5	5	580	22	350	1147	1147
315S	2	65	140	18	58	M20x42	315	600	550	660	24	6	645	22	397	1330	1330
	4, 6, 8	80	170	22	71	M20x42	315	600	550	660	24	6	645	22	427	1360	1360
315M	2	65	140	18	58	M20x42	315	600	550	660	24	6	645	22	397	1415	1415
	4, 6, 8, 10	80	170	22	71	M20x42	315	600	550	660	24	6	645	22	427	1445	1445
315L	2	65	140	18	58	M20x42	315	600	550	660	24	6	645	22	397	1415	1415
	4, 6, 8, 10	80	170	22	71	M20x42	315	600	550	660	24	6	645	22	427	1445	1445
355M	2	75	140	20	67.5	M20x42	355	740	680	800	24	6	720	22	424	1635	1635
	4, 6, 8, 10	95	170	25	86	M24x47	355	740	680	800	24	6	720	25	454	1695	1695
355L	2	75	140	20	67.5	M20x42	355	740	680	800	24	6	720	25	424	1635	1635
	4, 6, 8, 10	95	170	25	86	M24x47	355	740	680	800	24	6	720	25	454	1695	1695
400	2	85	170	22	76	M24x47	400	940	880	1000	28	6	810	27	588	1985	1985
	4, 6, 8	120	210	32	109	M24x47	400	940	880	1000	28	6	810	27	588	2025	2025



Dimensions IE1 / 尺寸 IE1

B35

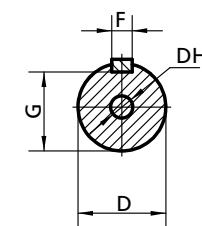
Frame size	Poles	A	B	C	D	E	F	G	DH	H	K	M	N	P	S	T	AB	AC	AD	BB	HA	HD	LA	LD	L
80M	2, 4, 6, 8	125	100	50	19	40	6	15.5	M6x16	80	10	165	130	200	12	3.5	165	165	165	130	9	225	12	118	295
90S	2, 4, 6, 8	140	100	56	24	50	8	20	M8x19	90	10	165	130	200	12	3.5	180	180	175	140	10	236	12	132	315
90L	2, 4, 6, 8	140	125	56	24	50	8	20	M8x19	90	10	165	130	200	12	3.5	180	180	175	165	10	236	12	132	340
100L	2, 4, 6, 8	160	140	63	28	60	8	24	M10x22	100	12	215	180	250	14.5	4	205	205	200	185	11	275	13	143	385
112M	2, 4, 6, 8	190	140	70	28	60	8	24	M10x22	112	12	215	180	250	14.5	4	230	240	220	185	13	300	14	147	400
132S	2, 4, 6, 8	216	140	89	38	80	10	33	M12x28	132	12	265	230	300	14.5	4	270	275	240	190	15	340	14	182	470
132M	2, 4, 6, 8	216	178	89	38	80	10	33	M12x28	132	12	265	230	300	14.5	4	270	275	240	230	15	340	14	182	500
160M	2, 4, 6, 8	254	210	108	42	110	12	37	M16x36	160	14.5	300	250	350	18.5	5	320	320	285	260	20	430	15	259	610
160L	2, 4, 6, 8	254	254	108	42	110	12	37	M16x36	160	14.5	300	250	350	18.5	5	320	320	285	304	20	430	15	259	655
180M	2, 4, 6, 8	279	241	121	48	110	14	42.5	M16x36	180	14.5	300	250	350	18.5	5	355	380	310	311	22	465	15	271	690
180L	2, 4, 6, 8	279	279	121	48	110	14	42.5	M16x36	180	14.5	300	250	350	18.5	5	355	380	310	349	22	465	15	271	730
200L	2, 4, 6, 8	318	305	133	55	110	16	49	M20x42	200	18.5	350	300	400	18.5	5	395	410	335	375	25	520	17	296	775
225S	4, 6, 8	356	286	149	60	140	18	53	M20x42	225	18.5	400	350	450	18.5	5	435	470	370	370	28	565	20	329	815
225M	2	356	311	149	55	110	16	49	M20x42	225	18.5	400	350	450	18.5	5	435	470	370	395	28	565	20	329	800
	4, 6, 8	356	311	149	60	140	18	53	M20x42	225	18.5	400	350	450	18.5	5	435	470	370	395	28	565	20	329	830
250M	2	406	349	168	60	140	18	53	M20x42	250	24	500	450	550	18.5	5	490	490	380	445	30	620	22	347	930
	4, 6, 8	406	349	168	65	140	18	58	M20x42	250	24	500	450	550	18.5	5	490	490	380	445	30	620	22	347	930
280S	2	457	368	190	65	140	18	58	M20x42	280	24	500	450	550	18.5	5	550	580	410	490	35	695	22	350	981
	4, 6, 8	457	368	190	75	140	20	67.5	M20x42	280	24	500	450	550	18.5	5	550	580	410	490	35	695	22	350	981
280M	2	457	419	190	65	140	18	58	M20x42	280	24	500	450	550	18.5	5	550	580	410	540	35	695	22	350	1032
	4, 6, 8	457	419	190	75	140	20	67.5	M20x42	280	24	500	450	550	18.5	5	550	580	410	540	35	695	22	350	1032
315S	2	508	406	216	65	140	18	58	M20x42	315	28	600	550	660	24	6	630	645	535	570	45	850	22	397	1210
	4, 6, 8, 10	508	406	216	80	170	22	71	M20x42	315	28	600	550	660	24	6	630	645	535	570	45	850	22	427	1240
315M	2	508	457	216	65	140	18	58	M20x42	315	28	600	550	660	24	6	630	645	535	680	45	860	22	397	1295
	4, 6, 8, 10	508	457	216	80	170	22	71	M20x42	315	28	600	550	660	24	6	630	645	535	680	45	860	22	427	1325
315L	2	508	508	216	65	140	18	58	M20x42	315	28	600	550	660	24	6	630	645	535	680	45	860	22	397	1295
	4, 6, 8, 10	508	508	216	80	170	22	71	M20x42	315	28	600	550	660	24	6	630	645	535	680	45	860	22	427	1325
355M	2	610	560	254	75	140	20	67.5	M20x42	355	28	740	680	800	24	6	730	720	700	760	52	965	22	424	1495
	4, 6, 8, 10	610	560	254	95	170	25	86	M24x47	355	28	740	680	800	24	6	730	720	700	760	52	965	25	454	1555
355L	2	610	630	254	75	140	20	67.5	M20x42	355	28	740	680	800	24	6	730	720	700	760	52	1065	25	424	1495
	4, 6, 8, 10	610	630	254	95	170	25	86	M24x47	355	28	740	680	800	24	6	730	720	700	760	52	1065	25	454	1555
400	2	686	630/710	280	85	170	22	76	M24x47	400	36	940	880	1000	28	6	806	860	710	1100	52	1100	27	588	1845
	4, 6, 8	686	630/710	280	120	210	32	109	M24x47	400	36	940	880	1000	28	6	806	860	710	1100	52	1100	27	588	1885



Dimensions IE1 / 尺寸 IE1

B14A

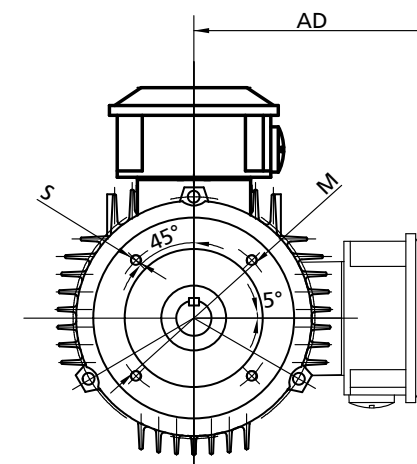
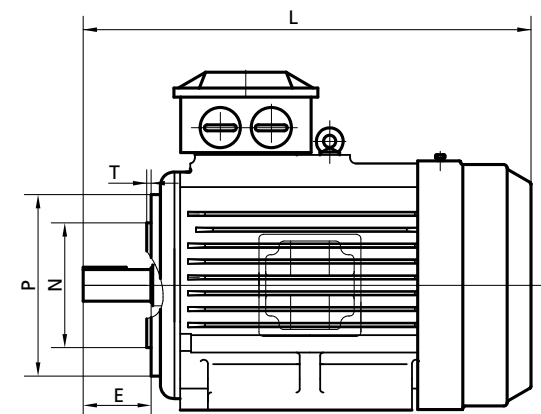
Frame size	Poles	D	E	F	G	DH	H	M	N	P	S	T	AC	AD	L
80M	2, 4, 6, 8	19	40	6	15.5	M6x16	80	100	80	120	M6	3	165	165	295
90S	2, 4, 6, 8	24	50	8	20	M8x19	90	115	95	140	M8	3	180	175	315
90L	2, 4, 6, 8	24	50	8	20	M8x19	90	115	95	140	M8	3	180	175	340
100L	2, 4, 6, 8	28	60	8	24	M10x22	100	130	110	160	M8	3.5	205	200	385
112M	2, 4, 6, 8	28	60	8	24	M10x22	112	130	110	160	M8	3.5	240	220	400
132S	2, 4, 6, 8	38	80	10	33	M12x28	132	165	130	200	M10	3.5	275	240	470
132M	2, 4, 6, 8	38	80	10	33	M12x28	132	165	130	200	M10	3.5	275	240	500



Dimensions IE1 / 尺寸 IE1

B14B

Frame size	Poles	D	E	F	G	DH	H	M	N	P	S	T	AC	AD	L
80M	2, 4, 6, 8	19	40	6	15.5	M6x16	80	130	110	160	M8	3.5	165	165	295
90S	2, 4, 6, 8	24	50	8	20	M8x19	90	130	110	160	M8	3.5	180	175	315
90L	2, 4, 6, 8	24	50	8	20	M8x19	90	130	110	160	M8	3.5	180	175	340
100L	2, 4, 6, 8	28	60	8	24	M10x22	100	165	130	200	M10	3.5	205	200	385
112M	2, 4, 6, 8	28	60	8	24	M10x22	112	165	130	200	M10	3.5	240	220	400
132S	2, 4, 6, 8	38	80	10	33	M12x28	132	215	180	250	M12	4	275	240	470
132M	2, 4, 6, 8	38	80	10	33	M12x28	132	215	180	250	M12	4	275	240	500







BEVI has manufactured electrical drive systems since 1931 and we keep pushing the boundaries of motor technology to develop even more energy-efficient solutions.

BEVI自1931年开始生产电动机，不断推进电动机技术的发展，开发更节能的产品解决方案。

Technical data IE2 / 性能数据 IE2

Number of poles 极数 	Power kW 60Hz 功率	Full load speed rpm 60Hz 满载转速	Full load current (A) 440-480V 440V 60Hz 满载电流 (A) 60Hz	Power kW 50Hz 功率	Full load speed rpm 50Hz 满载转速	Full load current (A) 满载电流 (A) 50Hz			Efficiency % 效率	Power factor cos φ 功率因数	Starting current ratio Ia/In 起动电流倍 数	Starting torque ratio Ma/Mn 起动转矩倍数	Pull out torque ratio Mmax/Mn 最大转矩倍数	Moment of inertia kg m ² 转动惯量	Mass (B3) kg 重量
						220-240V 230V	380-420V 400V	690V							
3D 801-2 IE2	0.9	3462	1.85	0.75	2885	2.9	1.70		77.4	0.83	6.8	2.3	2.3	0.0010	15
3D 802-2 IE2	1.32	3462	2.62	1.1	2885	4.2	2.40		79.6	0.83	7.3	2.3	2.3	0.0013	16.5
3D 90 S-2 IE2	1.8	3462	3.49	1.5	2885	5.5	3.20		81.3	0.84	7.6	2.3	2.3	0.0020	22.5
3D 90 L-2 IE2	2.64	3468	4.91	2.2	2890	7.8	4.50		83.2	0.85	7.8	2.3	2.3	0.0026	27
3D 100 L-2 IE2	3.6	3474	6.44	3	2895	10.2	5.90		84.6	0.87	8.1	2.3	2.3	0.0042	36
3D 112 M-2 IE2	4.8	3474	8.29	4	2895		7.60	4.4	85.8	0.88	8.3	2.3	2.3	0.0058	47
3D 132 S1-2 IE2	6.6	3504	11.3	5.5	2920		10.4	6.0	87.0	0.88	8.0	2.2	2.3	0.0128	63
3D 132 S2-2 IE2	9	3498	15.1	7.5	2915		13.8	8.0	88.1	0.89	7.8	2.2	2.3	0.0151	70
3D 160 M1-2 IE2	13.2	3534	21.8	11	2945		20.0	11.5	89.4	0.89	7.9	2.2	2.3	0.0489	119
3D 160 M2-2 IE2	18	3534	29.3	15	2945		26.9	15.5	90.3	0.89	8.0	2.2	2.3	0.0559	128
3D 160 L-2 IE2	22.2	3528	36.0	18.5	2940		33.0	19.1	90.9	0.89	8.1	2.2	2.3	0.0648	134
3D 180 M-2 IE2	26.4	3552	42.7	22	2960		39.1	22.6	91.3	0.89	8.2	2.2	2.3	0.0808	191
3D 200 L1-2 IE2	36	3558	57.7	30	2965		52.9	30.5	92.0	0.89	7.5	2.2	2.3	0.1630	237
3D 200 L2-2 IE2	44.4	3558	70.8	37	2965		64.9	37.5	92.5	0.89	7.5	2.2	2.3	0.1720	254
3D 225 M-2 IE2	54	3558	85.7	45	2965		78.6	45.4	92.9	0.89	7.6	2.2	2.3	0.3020	307
3D 250 M-2 IE2	66	3558	104.4	55	2965		95.7	55.3	93.2	0.89	7.6	2.2	2.3	0.4200	388
3D 280 S-2 IE2	90	3576	141.5	75	2980		129.7	74.9	93.8	0.89	6.9	2.0	2.3	0.9860	501
3D 280 M-2 IE2	108	3564	169.2	90	2970		155.1	89.5	94.1	0.89	7.0	2.0	2.3	1.0400	551
3D 315 S-2 IE2	132	3576	204.1	110	2980		187.1	108.0	94.3	0.90	7.1	2.0	2.2	1.3300	916
3D 315 M-2 IE2	158.4	3576	244.1	132	2980		223.8	129.2	94.6	0.90	7.1	2.0	2.2	1.5000	954
3D 315 L1-2 IE2	192	3576	292.0	160	2980		267.7	154.6	94.8	0.91	7.1	2.0	2.2	1.6700	1083
3D 315 L2-2 IE2	240	3576	364.3	200	2980		333.9	192.8	95.0	0.91	7.1	2.0	2.2	1.8800	1178
3D 355 M-2 IE2	300	3582	455.3	250	2985		417.4	241.0	95.0	0.91	7.1	2.0	2.2	4.0200	1611
3D 355 L-2 IE2	378	3582	573.7	315	2985		525.9	303.6	95.0	0.91	7.1	2.0	2.2	4.8600	1801

Technical data IE2 / 性能数据 IE2

Number of poles 极数 	Power kW 60Hz 功率	Full load speed rpm 60Hz 满载转速	Full load current (A) 440-480V 440V 60Hz 满载电流 (A) 60Hz	Power kW 50Hz 功率	Full load speed rpm 50Hz 满载转速	Full load current (A) 满载电流 (A) 50Hz			Efficiency % 效率	Power factor cos φ 功率因数	Starting current ratio Ia/In 起动电流倍数	Starting torque ratio Ma/Mn 起动转矩倍数	Pull out torque ratio Mmax/Mn 最大转矩倍数	Moment of inertia kg m ² 转动惯量	Mass (B3) kg 重量
						220-240V 230V	380-420V 400V	690V							
3D 80 2-4 IE2	0.9	1722	1.96	0.75	1435	3.12	1.80		79.6	0.75	6.5	2.3	2.3	0.0020	17
3D 90 S-4 IE2	1.32	1722	2.84	1.1	1435	4.5	2.60		81.4	0.75	6.6	2.3	2.3	0.0030	23
3D 90 L-4 IE2	1.8	1728	3.82	1.5	1440	6.1	3.50		82.8	0.75	6.9	2.3	2.3	0.0038	28
3D 100 L1-4 IE2	2.64	1746	5.13	2.2	1455	8.1	4.70		84.3	0.81	7.5	2.3	2.3	0.0077	37.5
3D 100 L2-4 IE2	3.6	1746	6.76	3	1455	10.7	6.20		85.5	0.82	7.6	2.3	2.3	0.0093	42
3D 112 M-4 IE2	4.8	1746	8.84	4	1455		8.10	4.7	86.6	0.82	7.7	2.3	2.3	0.0128	51
3D 132 S-4 IE2	6.6	1752	12.0	5.5	1460		11.0	6.4	87.7	0.82	7.5	2.0	2.3	0.0285	66
3D 132 M-4 IE2	9	1752	16.0	7.5	1460		14.7	8.5	88.7	0.83	7.4	2.0	2.3	0.0366	76
3D 160 M-4 IE2	13.2	1764	22.7	11	1470		20.8	12.0	89.8	0.85	7.5	2.2	2.3	0.0771	118
3D 160 L-4 IE2	18	1764	30.3	15	1470		27.8	16.1	90.6	0.86	7.5	2.2	2.3	0.1010	139
3D 180 M-4 IE2	22.2	1770	37.1	18.5	1475		34.0	19.6	91.2	0.86	7.7	2.2	2.3	0.1520	186
3D 180 L-4 IE2	26.4	1770	44.0	22	1475		40.3	23.3	91.6	0.86	7.8	2.2	2.3	0.1870	197
3D 200 L-4 IE2	36	1776	59.6	30	1480		54.6	31.5	92.3	0.86	7.2	2.2	2.3	0.2850	261
3D 225 S-4 IE2	44.4	1782	73.1	37	1485		67.0	38.7	92.7	0.86	7.3	2.2	2.3	0.4730	308
3D 225 M-4 IE2	54	1782	88.5	45	1485		81.1	46.8	93.1	0.86	7.4	2.2	2.3	0.5540	337
3D 250 M-4 IE2	66	1776	107.7	55	1480		98.7	57.0	93.5	0.86	7.4	2.2	2.3	0.7510	410
3D 280 S-4 IE2	90	1788	142.8	75	1490		130.9	75.6	94.0	0.88	6.7	2.2	2.3	1.9200	579
3D 280 M-4 IE2	108	1788	170.9	90	1490		156.7	90.5	94.2	0.88	6.9	2.2	2.3	2.3200	641
3D 315 S-4 IE2	132	1788	208.3	110	1490		190.9	110.2	94.5	0.88	6.9	2.2	2.2	2.3400	959
3D 315 M-4 IE2	158.4	1788	249.4	132	1490		228.6	132.0	94.7	0.88	6.9	2.2	2.2	2.5800	999
3D 315 L1-4 IE2	192	1788	298.3	160	1490		273.4	157.9	94.9	0.89	6.9	2.2	2.2	2.9600	1096
3D 315 L2-4 IE2	240	1788	372.1	200	1490		341.1	196.9	95.1	0.89	6.9	2.2	2.2	3.4600	1330
3D 355 M-4 IE2	300	1788	459.9	250	1490		421.6	243.4	95.1	0.90	6.9	2.2	2.2	6.6000	1638
3D 355 L-4 IE2	378	1788	579.5	315	1490		531.2	306.7	95.1	0.90	6.9	2.2	2.2	7.5500	1832

Technical data IE2 / 性能数据 IE2


Number of poles 极数 6	Power kW 60Hz 功率	Full load speed rpm 60Hz 满载转速	Full load current (A) 440-480V 440V 60Hz 满载电流 (A) 60Hz	Power kW 50Hz 功率	Full load speed rpm 50Hz 满载转速	Full load current (A) 满载电流 (A) 50Hz			Efficiency % 效率	Power factor cos φ 功率因数	Starting current ratio Ia/In 起动电流倍数	Starting torque ratio Ma/Mn 起动转矩倍数	Pull out torque ratio Mmax/Mn 最大转矩倍数	Moment of inertia kg m ² 转动惯量	Mass (B3) kg 重量
						220-240V 230V	380-420V 400V	690V							
3D 90 S-6 IE2	0.9	1140	2.18	0.75	950	3.46	2.00		75.9	0.72	5.8	2.1	2.1	0.0038	23
3D 90 L-6 IE2	1.32	1140	3.05	1.1	950	4.85	2.80		78.1	0.73	5.9	2.1	2.1	0.0053	27
3D 100 L-6 IE2	1.8	1146	4.04	1.5	955	6.41	3.70		79.8	0.74	6.0	2.1	2.1	0.0107	36
3D 112 M-6 IE2	2.64	1146	5.67	2.2	955	9.01	5.20		81.8	0.74	6.0	2.1	2.1	0.0151	46
3D 132 S-6 IE2	3.6	1170	7.64	3	975	12.12	7.00		83.3	0.74	6.2	2.0	2.1	0.0318	65
3D 132 M1-6 IE2	4.8	1170	10.04	4	975		9.20	5.3	84.6	0.74	6.8	2.0	2.1	0.3940	73
3D 132 M2-6 IE2	6.6	1170	13.4	5.5	975		12.3	7.1	86.0	0.75	7.1	2.0	2.1	0.0494	82
3D 160 M-6 IE2	9	1176	17.3	7.5	980		15.9	9.2	87.2	0.78	6.7	2.1	2.1	0.0964	111
3D 160 L-6 IE2	13.2	1176	24.8	11	980		22.7	13.1	88.7	0.79	6.9	2.1	2.1	0.1270	132
3D 180 L-6 IE2	18	1176	32.5	15	980		29.8	17.2	89.7	0.81	7.2	2.0	2.1	0.2010	176
3D 200 L1-6 IE2	22.2	1182	39.8	18.5	985		36.5	21.1	90.4	0.81	7.2	2.1	2.1	0.3250	222
3D 200 L2-6 IE2	26.4	1176	46.5	22	980		42.6	24.6	90.9	0.82	7.3	2.1	2.1	0.3710	242
3D 225 M-6 IE2	36	1176	63.6	30	980		58.3	33.7	91.7	0.81	7.1	2.0	2.1	0.5330	292
3D 250 M-6 IE2	44.4	1188	75.3	37	990		69.0	39.8	92.2	0.84	7.1	2.1	2.1	0.8770	369
3D 280 S-6 IE2	54	1188	88.9	45	990		81.5	47.1	92.7	0.86	7.2	2.1	2.0	1.8500	511
3D 280 M-6 IE2	66	1188	108.2	55	990		99.2	57.3	93.1	0.86	7.2	2.1	2.0	2.1200	656
3D 315 S-6 IE2	90	1194	148.3	75	995		135.9	78.5	93.7	0.85	6.7	2.0	2.0	2.6100	851
3D 315 M-6 IE2	108	1194	179.5	90	995		164.5	95.0	94.0	0.84	6.7	2.0	2.0	3.0400	973
3D 315 L1-6 IE2	132	1194	216.1	110	995		198.1	114.4	94.3	0.85	6.7	2.0	2.0	3.7100	1022
3D 315 L2-6 IE2	158.4	1194	255.5	132	995		234.2	135.2	94.6	0.86	6.7	2.0	2.0	4.2400	1112
3D 355 M1-6 IE2	192	1194	305.5	160	995		280.0	161.7	94.8	0.87	6.7	2.0	2.0	7.4400	1628
3D 355 M2-6 IE2	240	1194	399.4	200	995		366.1	211.4	95.0	0.87	6.7	2.0	2.0	9.1000	1760
3D 355 L-6 IE2	300	1194	476.3	250	995		436.6	252.1	95.0	0.87	6.7	2.0	2.0	10.800	1924




We have the deep engineering expertise to manufacture customized drive solutions to fit the needs of most customers and applications.

我们有丰富的产品设计经验，可以为客户定制特种产品以满足其需要。

Technical data IE3 / 性能数据 IE3

Number of poles 极数 	Power kW 60Hz 功率	Full load speed rpm 60Hz 满载转速	Full load current (A) 440-480V 440V 60Hz 满载电流 (A) 60Hz	Power kW 50Hz 功率	Full load speed rpm 50Hz 满载转速	Full load current (A) 满载电流 (A) 50Hz			Efficiency % 效率	Power factor cos φ 功率因数	Starting current ratio Ia/In 起动电流倍数	Starting torque ratio Ma/Mn 起动转矩倍数	Pull out torque ratio Mmax/Mn 最大转矩倍数	Moment of inertia kg m ² 转动惯量	Mass (B3) kg 重量
						220-240V 230V	380-420V 400V	690V							
3D 801-2 IE3	0.9	3462	1.75	0.75	2885	2.8	1.60		80.7	0.82	7.0	2.3	2.3	0.0010	15
3D 802-2 IE3	1.32	3462	2.51	1.1	2885	4.0	2.30		82.7	0.83	7.3	2.2	2.3	0.0013	18
3D 90 S-2 IE3	1.8	3474	3.27	1.5	2895	5.2	3.00		84.2	0.84	7.6	2.2	2.3	0.0021	23
3D 90 L-2 IE3	2.64	3480	4.80	2.2	2900	7.6	4.40		85.9	0.85	7.6	2.2	2.3	0.0028	28
3D 100 L-2 IE3	3.6	3468	6.22	3	2890	9.9	5.70		87.1	0.87	7.8	2.2	2.3	0.0046	39
3D 112 M-2 IE3	4.8	3480	8.07	4	2900		7.40	4.3	88.1	0.88	8.3	2.2	2.3	0.0074	49
3D 132 S1-2 IE3	6.6	3510	11.0	5.5	2925		10.1	5.8	89.2	0.88	8.3	2.0	2.3	0.0145	68
3D 132 S2-2 IE3	9	3510	14.9	7.5	2925		13.7	7.9	90.1	0.88	7.9	2.0	2.3	0.0176	75
3D 160 M1-2 IE3	13.2	3534	21.4	11	2945		19.6	11.3	91.2	0.89	8.1	2.0	2.3	0.0513	130
3D 160 M2-2 IE3	18	3540	28.9	15	2950		26.5	15.3	91.9	0.89	8.1	2.0	2.3	0.0654	132
3D 160 L-2 IE3	22.2	3534	35.5	18.5	2945		32.5	18.8	92.4	0.89	8.2	2.0	2.3	0.7600	151
3D 180 M-2 IE3	26.4	3546	42.0	22	2955		38.5	22.2	92.7	0.89	8.2	2.0	2.3	0.1183	210
3D 200 L1-2 IE3	36	3558	56.9	30	2965		52.2	30.1	93.3	0.89	7.6	2.0	2.3	0.1649	246
3D 200 L2-2 IE3	44.4	3558	69.8	37	2965		64.0	37.0	93.7	0.89	7.6	2.0	2.3	0.1945	265
3D 225 M-2 IE3	54	3558	83.8	45	2965		76.8	44.3	94.0	0.90	7.7	2.0	2.3	0.3097	345
3D 250 M-2 IE3	66	3564	102.1	55	2970		93.6	54.0	94.3	0.90	7.7	2.0	2.3	0.4168	422
3D 280 S-2 IE3	90	3570	138.5	75	2975		127.0	73.3	94.7	0.90	7.1	1.8	2.3	0.6849	527
3D 280 M-2 IE3	108	3570	165.7	90	2975		151.9	87.7	95.0	0.90	7.1	1.8	2.3	0.8015	578
3D 315 S-2 IE3	132	3576	202.1	110	2980		185.3	107.0	95.2	0.90	7.1	1.8	2.3	1.5305	957
3D 315 M-2 IE3	158.4	3570	242.1	132	2975		221.9	128.1	95.4	0.90	7.1	1.8	2.3	1.7253	987
3D 315 L1-2 IE3	192	3570	289.5	160	2975		265.4	153.2	95.6	0.91	7.2	1.8	2.3	2.0592	1153
3D 315 L2-2 IE3	240	3570	361.3	200	2975		331.2	191.2	95.8	0.91	7.2	1.8	2.2	2.5045	1347
3D 355 M-2 IE3	300	3576	451.5	250	2980		413.9	239.0	95.8	0.91	7.2	1.6	2.2	3.1254	1655
3D 355 L-2 IE3	378	3576	562.8	315	2980		515.9	297.9	95.8	0.91	7.2	1.6	2.2	3.7504	1838

Technical data IE3 / 性能数据 IE3

Number of poles 极数 	Power kW 60Hz 功率	Full load speed rpm 60Hz 满载转速	Full load current (A) 440-480V 440V 60Hz 满载电流 (A) 60Hz	Power kW 50Hz 功率	Full load speed rpm 50Hz 满载转速	Full load current (A) 满载电流 (A) 50Hz			Efficiency % 效率	Power factor cos φ 功率因数	Starting current ratio Ia/In 起动电流倍数	Starting torque ratio Ma/Mn 起动转矩倍数	Pull out torque ratio Mmax/Mn 最大转矩倍数	Moment of inertia kg m ² 转动惯量	Mass (B3) kg 重量
						220-240V 230V	380-420V 400V	690V							
3D 80 2-4 IE3	0.9	1722	1.85	0.75	1435	2.94	1.70		82.5	0.75	6.6	2.3	2.3	0.0023	19
3D 90 S-4 IE3	1.32	1722	2.73	1.1	1435	4.3	2.50		84.1	0.76	6.8	2.3	2.3	0.0037	24
3D 90 L-4 IE3	1.8	1722	3.60	1.5	1435	5.7	3.30		85.3	0.77	7.0	2.3	2.3	0.0048	29
3D 100 L1-4 IE3	2.64	1740	5.02	2.2	1450	8.0	4.60		86.7	0.81	7.6	2.3	2.3	0.0090	37
3D 100 L2-4 IE3	3.6	1740	6.55	3	1450	10.4	6.00		87.7	0.82	7.6	2.3	2.3	0.0120	41
3D 112 M-4 IE3	4.8	1746	8.73	4	1455		8.00	4.6	88.6	0.82	7.8	2.2	2.3	0.0175	53
3D 132 S-4 IE3	6.6	1752	11.6	5.5	1460		10.6	6.1	89.6	0.83	7.9	2.0	2.3	0.0350	69
3D 132 M-4 IE3	9	1752	15.6	7.5	1460		14.3	8.3	90.4	0.84	7.5	2.0	2.3	0.0447	81
3D 160 M-4 IE3	13.2	1764	22.3	11	1470		20.4	11.8	91.4	0.85	7.7	2.2	2.3	0.0974	126
3D 160 L-4 IE3	18	1764	29.9	15	1470		27.4	15.8	92.1	0.86	7.8	2.2	2.3	0.1239	147
3D 180 M-4 IE3	22.2	1770	36.5	18.5	1475		33.5	19.3	92.6	0.86	7.8	2.0	2.3	0.1811	203
3D 180 L-4 IE3	26.4	1770	43.3	22	1475		39.7	22.9	93.0	0.86	7.8	2.0	2.3	0.2242	227
3D 200 L-4 IE3	36	1770	58.7	30	1475		53.8	31.1	93.6	0.86	7.3	2.0	2.3	0.3631	290
3D 225 S-4 IE3	44.4	1776	72.1	37	1480		66.1	38.2	93.9	0.86	7.4	2.0	2.3	0.5589	332
3D 225 M-4 IE3	54	1776	87.5	45	1480		80.2	46.3	94.2	0.86	7.4	2.0	2.3	0.6351	353
3D 250 M-4 IE3	66	1782	106.5	55	1485		97.6	56.4	94.6	0.86	7.4	2.2	2.3	0.8994	476
3D 280 S-4 IE3	90	1782	141.3	75	1485		129.5	74.8	95.0	0.88	6.9	2.0	2.3	1.6251	615
3D 280 M-4 IE3	108	1782	169.1	90	1485		155.0	89.5	95.2	0.88	6.9	2.0	2.3	1.9672	675
3D 315 S-4 IE3	132	1782	204.0	110	1485		187.0	108.0	95.4	0.89	7.0	2.0	2.2	3.2735	1012
3D 315 M-4 IE3	158.4	1782	244.3	132	1485		223.9	129.3	95.6	0.89	7.0	2.0	2.2	3.6959	1061
3D 315 L1-4 IE3	192	1782	295.4	160	1485		270.8	156.4	95.8	0.89	7.1	2.0	2.2	4.2239	1153
3D 315 L2-4 IE3	240	1782	364.5	200	1485		334.1	192.9	96.0	0.90	7.1	2.0	2.2	5.9135	1603
3D 355 M-4 IE3	300	1788	455.6	250	1490		417.6	241.1	96.0	0.90	7.1	2.0	2.2	9.6762	1933
3D 355 L-4 IE3	378	1788	574.0	315	1490		526.2	303.8	96.0	0.90	7.1	2.0	2.2	10.5721	1933

Technical data IE3 / 性能数据 IE3

Number of poles 极数 6	Power kW 60Hz 功率	Full load speed rpm 60Hz 满载转速	Full load current (A) 440-480V 440V 60Hz 满载电流 (A) 60Hz	Power kW 50Hz 功率	Full load speed rpm 50Hz 满载转速	Full load current (A) 满载电流 (A) 50Hz			Efficiency % 效率	Power factor cos ϕ 功率因数	Starting current ratio Ia/In 起动电流倍数	Starting torque ratio Ma/Mn 起动转矩倍数	Pull out torque ratio Mmax/Mn 最大转矩倍数	Moment of inertia kg m ² 转动惯量	Mass (B3) kg 重量
						220-240V 230V	380-420V 400V	690V							
3D 90 S-6 IE3	0.9	1146	2.07	0.75	955	3.29	1.90		78.9	0.71	6.0	2.0	2.1	0.0048	25
3D 90 L-6 IE3	1.32	1146	2.95	1.1	955	4.68	2.70		81.0	0.73	6.0	2.0	2.1	0.0071	30
3D 100 L-6 IE3	1.8	1146	3.93	1.5	955	6.24	3.60		82.5	0.73	6.5	2.0	2.1	0.0126	38
3D 112 M-6 IE3	2.64	1140	5.56	2.2	950	8.83	5.10		84.3	0.74	6.6	2.0	2.1	0.0191	48
3D 132 S-6 IE3	3.6	1164	7.42	3	970	11.78	6.80		85.6	0.74	6.8	2.0	2.1	0.0357	64
3D 132 M1-6 IE3	4.8	1164	9.82	4	970		9.00	5.2	86.8	0.74	6.8	2.0	2.1	0.0477	75
3D 132 M2-6 IE3	6.6	1164	13.2	5.5	970		12.1	7.0	88.0	0.75	7.0	2.0	2.1	0.0630	85
3D 160 M-6 IE3	9	1170	16.8	7.5	975		15.4	8.9	89.1	0.79	7.0	2.0	2.1	0.1119	115
3D 160 L-6 IE3	13.2	1170	23.9	11	975		21.9	12.6	90.3	0.80	7.2	2.0	2.1	0.1492	135
3D 180 L-6 IE3	18	1176	32.1	15	980		29.4	17.0	91.2	0.81	7.3	2.0	2.1	0.2574	186
3D 200 L1-6 IE3	22.2	1176	39.2	18.5	980		35.9	20.7	91.7	0.81	7.3	2.0	2.1	0.3881	236
3D 200 L2-6 IE3	26.4	1176	46.5	22	980		42.6	24.6	92.2	0.81	7.4	2.0	2.1	0.4478	254
3D 225 M-6 IE3	36	1182	61.2	30	985		56.1	32.4	92.9	0.83	6.9	2.0	2.1	0.6342	298
3D 250 M-6 IE3	44.4	1182	74.3	37	985		68.1	39.3	93.3	0.84	7.1	2.0	2.1	1.0787	371
3D 280 S-6 IE3	54	1182	88.9	45	985		81.5	47.1	93.7	0.85	7.3	2.0	2.0	1.7050	518
3D 280 M-6 IE3	66	1182	107.0	55	985		98.1	56.6	94.1	0.86	7.3	2.0	2.0	2.0619	670
3D 315 S-6 IE3	90	1188	148.6	75	990		136.2	78.6	94.6	0.84	6.6	2.0	2.0	3.9210	877
3D 315 M-6 IE3	108	1188	175.6	90	990		161.0	93.0	94.9	0.85	6.7	2.0	2.0	4.2711	1008
3D 315 L1-6 IE3	132	1188	214.4	110	990		196.5	113.5	95.1	0.85	6.7	2.0	2.0	5.4614	1057
3D 315 L2-6 IE3	158.4	1188	253.3	132	990		232.2	134.1	95.4	0.86	6.8	2.0	2.0	6.5817	1161
3D 355 M1-6 IE3	192	1188	306.4	160	990		280.9	162.2	95.6	0.86	6.8	1.8	2.0	10.3039	1798
3D 355 M2-6 IE3	240	1188	377.9	200	990		346.4	200.0	95.8	0.87	6.8	1.8	2.0	11.7758	1854
3D 355 L-6 IE3	300	1188	472.3	250	990		432.9	249.9	95.8	0.87	6.8	1.8	2.0	15.286	2176



Our modern production plant and service workshop in Sweden, with a state-of-the-art design engineering department.

位于瑞典的现代化工厂和维修车间，公司拥有最先进的产品设计开发部门。

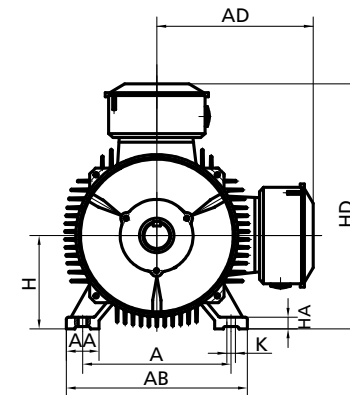
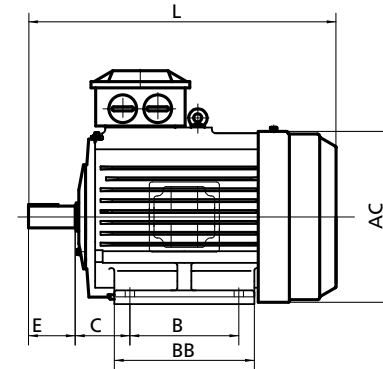
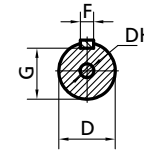
Dimensions IE2 and IE3 / 尺寸 IE2 和 IE3

B3

Frame size	Poles	A	B	C	D	E	F	G	DH	H	K	AA	AB	AC	AD	BB	HA	HD	LD	L
80M	2, 4	125	100	50	19	40	6	15.5	M6x16	80	10	32	165	167	165	142	10	230	74	300
90S	2, 4, 6	140	100	56	24	50	8	20	M8x19	90	10	34	180	190	175	180	12	242	76	348
90L	2, 4, 6	140	125	56	24	50	8	20	M8x19	90	10	34	180	190	175	220	12	242	76	378
100L	2, 4, 6	160	140	63	28	60	8	24	M10x22	100	12	39	205	215	200	233	14	280	83	428
112M	2, 4, 6	190	140	70	28	60	8	24	M10x22	112	12	45	230	240	220	248	15	300	87	460
132S	2, 4, 6	216	140	89	38	80	10	33	M12x28	132	12	55	270	275	240	230	18	340	102	500
132M	2, 4, 6	216	178	89	38	80	10	33	M12x28	132	12	55	270	275	240	262	18	340	102	540
160M	2, 4, 6	254	210	108	42	110	12	37	M16x36	160	14.5	65	320	320	285	304	20	430	149	655
160L	2, 4, 6	254	254	108	42	110	12	37	M16x36	160	14.5	65	320	320	285	334	20	430	149	685
180M	2, 4, 6	279	241	121	48	110	14	42.5	M16x36	180	14.5	70	355	380	310	349	22	465	161	730
180L	2, 4, 6	279	279	121	48	110	14	42.5	M16x36	180	14.5	70	355	380	310	397	22	465	161	765
200L	2, 4, 6	318	305	133	55	110	16	49	M20x42	200	18.5	74	395	410	335	375	25	520	186	775
225S	4, 6	356	286	149	60	140	18	53	M20x42	225	18.5	78	435	470	370	370	28	565	189	815
225M	2	356	311	149	55	110	16	49	M20x42	225	18.5	78	435	470	370	395	28	565	189	800
	4, 6	356	311	149	60	140	18	53	M20x42	225	18.5	78	435	470	370	395	28	565	189	830
250M	2	406	349	168	60	140	18	53	M20x42	250	24	80	490	490	380	445	30	620	207	930
	4, 6	406	349	168	65	140	18	58	M20x42	250	24	80	490	490	380	445	30	620	207	930
280S	2	457	368	190	65	140	18	58	M20x42	280	24	90	550	580	410	490	35	695	215	981
	4, 6	457	368	190	75	140	20	67.5	M20x42	280	24	90	550	580	410	490	35	695	215	981
280M	2	457	419	190	65	140	18	58	M20x42	280	24	90	550	580	410	540	35	695	215	1032
	4, 6	457	419	190	75	140	20	67.5	M20x42	280	24	90	550	580	410	540	35	695	215	1032
315S	2	508	406	216	65	140	18	58	M20x42	315	28	112	630	645	535	570	45	850	257	1210
	4, 6	508	406	216	80	170	22	71	M20x42	315	28	112	630	645	535	570	45	850	257	1240
315M	2	508	457	216	65	140	18	58	M20x42	315	28	112	630	645	535	680	45	860	257	1295
	4, 6	508	457	216	80	170	22	71	M20x42	315	28	112	630	645	535	680	45	860	257	1325
315L	2 *	508	508	216	65	140	18	58	M20x42	315	28	112	630	645	535	680	45	860	257	1295
	4, 6 **	508	508	216	80	170	22	71	M20x42	315	28	112	630	645	535	680	45	860	257	1325
355M	2	610	560	254	75	140	20	67.5	M20x42	355	28	115	730	720	650	760	52	965	284	1495
	4, 6	610	560	254	95	170	25	86	M24x47	355	28	115	730	720	650	760	52	965	284	1555
355L	2	610	630	254	75	140	20	67.5	M20x42	355	28	115	730	720	650	760	52	1065	284	1495
	4, 6	610	630	254	95	170	25	86	M24x47	355	28	115	730	720	650	760	52	1065	284	1555

* 200kW 2P L=1465

** 200kW 4P L=1495



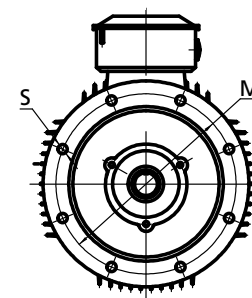
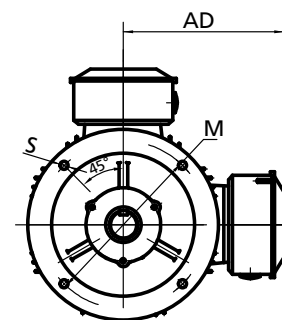
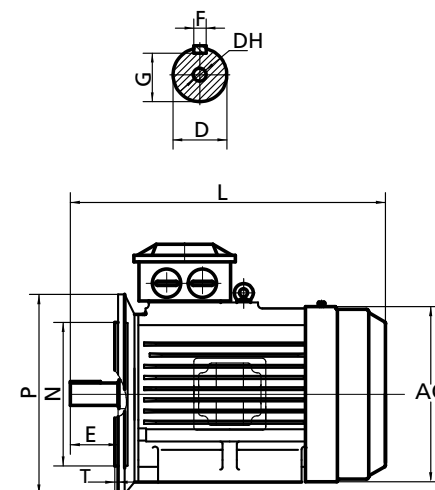
Dimensions IE2 and IE3 / 尺寸 IE2 和 IE3

B5

Frame size	Poles	D	E	F	G	DH	H	M	N	P	S	T	AC	LA	LD	L
80M	2, 4, 6	19	40	6	15.5	M6x16	80	165	130	200	12	3.5	167	12	74	300
90S	2, 4, 6	24	50	8	20	M8x19	90	165	130	200	12	3.5	190	12	76	348
90L	2, 4, 6	24	50	8	20	M8x19	90	165	130	200	12	3.5	190	12	76	378
100L	2, 4, 6	28	60	8	24	M10x22	100	215	180	250	14.5	4	215	13	83	428
112M	2, 4, 6	28	60	8	24	M10x22	112	215	180	250	14.5	4	240	14	87	460
132S	2, 4, 6	38	80	10	33	M12x28	132	265	230	300	14.5	4	275	14	102	500
132M	2, 4, 6	38	80	10	33	M12x28	132	265	230	300	14.5	4	275	14	102	540
160M	2, 4, 6	42	110	12	37	M16x36	160	300	250	350	18.5	5	320	15	149	655
160L	2, 4, 6	42	110	12	37	M16x36	160	300	250	350	18.5	5	320	15	149	685
180M	2, 4, 6	48	110	14	42.5	M16x36	180	300	250	350	18.5	5	380	15	161	730
180L	2, 4, 6	48	110	14	42.5	M16x36	180	300	250	350	18.5	5	380	15	161	765
200L	2, 4, 6	55	110	16	49	M20x42	200	350	300	400	18.5	5	410	17	186	775
225S	4, 6	60	140	18	53	M20x42	225	400	350	450	18.5	5	470	20	189	815
225M	2	55	110	16	49	M20x42	225	400	350	450	18.5	5	470	20	189	800
	4, 6	60	140	18	53	M20x42	225	400	350	450	18.5	5	470	20	189	830
250M	2	60	140	18	53	M20x42	250	500	450	550	18.5	5	490	22	207	930
	4, 6	65	140	18	58	M20x42	250	500	450	550	18.5	5	490	22	207	930
280S	2	65	140	18	58	M20x42	280	500	450	550	18.5	5	580	22	215	981
	4, 6	75	140	20	67.5	M20x42	280	500	450	550	18.5	5	580	22	215	981
280M	2	65	140	18	58	M20x42	280	500	450	550	18.5	5	580	22	215	1032
	4, 6	75	140	20	67.5	M20x42	280	500	450	550	18.5	5	580	22	215	1032
315S	2	65	140	18	58	M20x42	315	600	550	660	24	6	645	22	257	1210
	4, 6	80	170	22	71	M20x42	315	600	550	660	24	6	645	22	257	1240
315M	2	65	140	18	58	M20x42	315	600	550	660	24	6	645	22	257	1295
	4, 6	80	170	22	71	M20x42	315	600	550	660	24	6	645	22	257	1325
315L	2 *	65	140	18	58	M20x42	315	600	550	660	24	6	645	22	257	1295
	4, 6 **	80	170	22	71	M20x42	315	600	550	660	24	6	645	22	257	1325
355M	2	75	140	20	67.5	M20x42	355	740	680	800	24	6	720	22	284	1495
	4, 6	95	170	25	86	M24x47	355	740	680	800	24	6	720	25	284	1555
355L	2	75	140	20	67.5	M20x42	355	740	680	800	24	6	720	25	284	1495
	4, 6	95	170	25	86	M24x47	355	740	680	800	24	6	720	25	284	1555

* 200kW 2P L=1465

** 200kW 4P L=1495



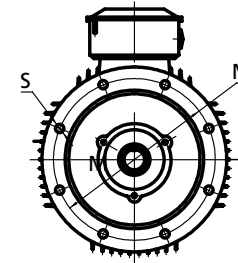
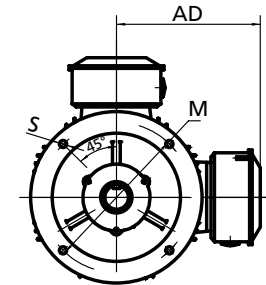
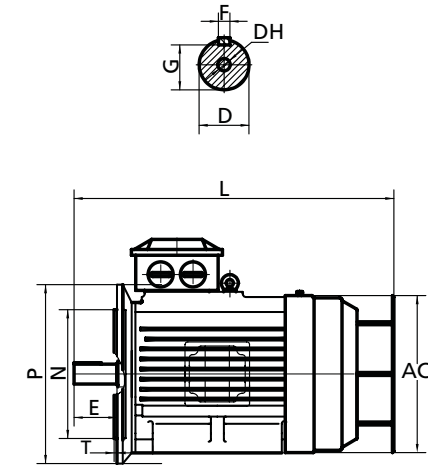
Dimensions IE2 and IE3 / 尺寸 IE2 和 IE3

V1

Frame size	Poles	D	E	F	G	DH	H	M	N	P	S	T	AC	LA	LD	L
80M	2, 4	19	40	6	15.5	M6x16	80	165	130	200	12	3.5	167	12	74	325
90S	2, 4, 6	24	50	8	20	M8x19	90	165	130	200	12	3.5	190	12	76	373
90L	2, 4, 6	24	50	8	20	M8x19	90	165	130	200	12	3.5	190	12	76	403
100L	2, 4, 6	28	60	8	24	M10x22	100	215	180	250	14.5	4	215	13	83	458
112M	2, 4, 6	28	60	8	24	M10x22	112	215	180	250	14.5	4	240	14	87	490
132S	2, 4, 6	38	80	10	33	M12x28	132	265	230	300	14.5	4	275	14	102	540
132M	2, 4, 6	38	80	10	33	M12x28	132	265	230	300	14.5	4	275	14	102	580
160M	2, 4, 6	42	110	12	37	M16x36	160	300	250	350	18.5	5	320	15	149	705
160L	2, 4, 6	42	110	12	37	M16x36	160	300	250	350	18.5	5	320	15	149	735
180M	2, 4, 6	48	110	14	42.5	M16x36	180	300	250	350	18.5	5	380	15	161	790
180L	2, 4, 6	48	110	14	42.5	M16x36	180	300	250	350	18.5	5	380	15	161	825
200L	2, 4, 6	55	110	16	49	M20x42	200	350	300	400	18.5	5	410	17	186	845
225S	4, 6	60	140	18	53	M20x42	225	400	350	450	18.5	5	470	20	189	905
225M	2	55	110	16	49	M20x42	225	400	350	450	18.5	5	470	20	189	890
	4, 6	60	140	18	53	M20x42	225	400	350	450	18.5	5	470	20	189	920
250M	2	60	140	18	53	M20x42	250	500	450	550	18.5	5	490	22	207	1035
	4, 6	65	140	18	58	M20x42	250	500	450	550	18.5	5	490	22	207	1035
280S	2	65	140	18	58	M20x42	280	500	450	550	18.5	5	580	22	215	1096
	4, 6	75	140	20	67.5	M20x42	280	500	450	550	18.5	5	580	22	215	1096
280M	2	65	140	18	58	M20x42	280	500	450	550	18.5	5	580	22	215	1147
	4, 6	75	140	20	67.5	M20x42	280	500	450	550	18.5	5	580	22	215	1147
315S	2	65	140	18	58	M20x42	315	600	550	660	24	6	645	22	257	1330
	4, 6	80	170	22	71	M20x42	315	600	550	660	24	6	645	22	257	1360
315M	2	65	140	18	58	M20x42	315	600	550	660	24	6	645	22	257	1415
	4, 6	80	170	22	71	M20x42	315	600	550	660	24	6	645	22	257	1445
315L	2 *	65	140	18	58	M20x42	315	600	550	660	24	6	645	22	257	1415
	4, 6 **	80	170	22	71	M20x42	315	600	550	660	24	6	645	22	257	1445
355M	2	75	140	20	67.5	M20x42	355	740	680	800	24	6	720	22	284	1635
	4, 6	95	170	25	86	M24x47	355	740	680	800	24	6	720	25	284	1695
355L	2	75	140	20	67.5	M20x42	355	740	680	800	24	6	720	25	284	1635
	4, 6	95	170	25	86	M24x47	355	740	680	800	24	6	720	25	284	1695

* 200kW 2P L=1585

** 200kW 4P L=1615



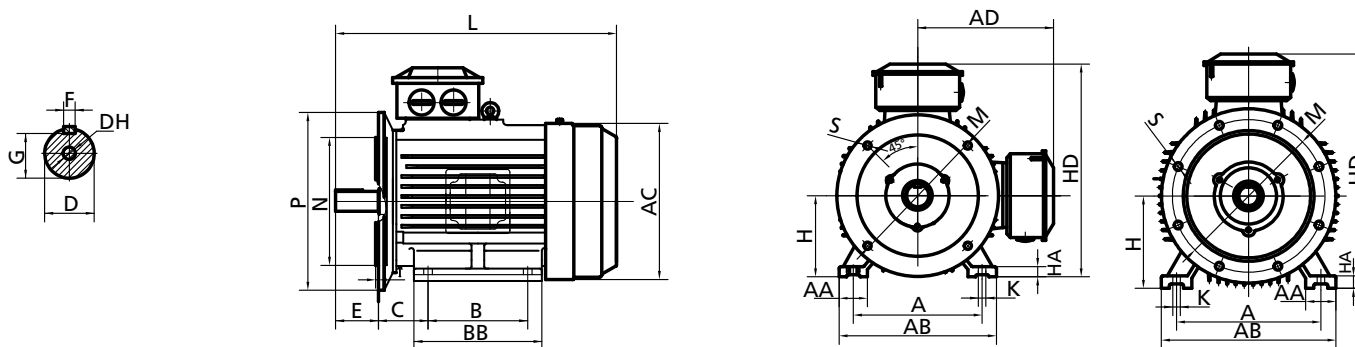
Dimensions IE2 and IE3 / 尺寸 IE2 和 IE3

B35

Frame size	Poles	A	B	C	D	E	F	G	DH	H	K	M	N	P	S	T	AB	AC	AD	BB	HA	HD	LA	LD	L
80M	2, 4	125	100	50	19	40	6	15.5	M6x16	80	10	165	130	200	12	3.5	165	167	165	142	10	230	12	74	300
90S	2, 4, 6	140	100	56	24	50	8	20	M8x19	90	10	165	130	200	12	3.5	180	190	175	180	12	242	12	76	348
90L	2, 4, 6	140	125	56	24	50	8	20	M8x19	90	10	165	130	200	12	3.5	180	190	175	220	12	242	12	76	378
100L	2, 4, 6	160	140	63	28	60	8	24	M10x22	100	12	215	180	250	14.5	4	205	215	200	233	14	280	13	83	428
112M	2, 4, 6	190	140	70	28	60	8	24	M10x22	112	12	215	180	250	14.5	4	230	240	220	248	15	300	14	87	460
132S	2, 4, 6	216	140	89	38	80	10	33	M12x28	132	12	265	230	300	14.5	4	270	275	240	230	18	340	14	102	500
132M	2, 4, 6	216	178	89	38	80	10	33	M12x28	132	12	265	230	300	14.5	4	270	275	240	262	18	340	14	102	540
160M	2, 4, 6	254	210	108	42	110	12	37	M16x36	160	14.5	300	250	350	18.5	5	320	320	285	304	20	430	15	149	655
160L	2, 4, 6	254	254	108	42	110	12	37	M16x36	160	14.5	300	250	350	18.5	5	320	320	285	334	20	430	15	149	685
180M	2, 4, 6	279	241	121	48	110	14	42.5	M16x36	180	14.5	300	250	350	18.5	5	355	380	310	349	22	465	15	161	730
180L	2, 4, 6	279	279	121	48	110	14	42.5	M16x36	180	14.5	300	250	350	18.5	5	355	380	310	397	22	465	15	161	765
200L	2, 4, 6	318	305	133	55	110	16	49	M20x42	200	18.5	350	300	400	18.5	5	395	410	335	375	25	520	17	186	775
225S	4, 6	356	286	149	60	140	18	53	M20x42	225	18.5	400	350	450	18.5	5	435	470	370	370	28	565	20	189	815
225M	2	356	311	149	55	110	16	49	M20x42	225	18.5	400	350	450	18.5	5	435	470	370	395	28	565	20	189	800
	4, 6	356	311	149	60	140	18	53	M20x42	225	18.5	400	350	450	18.5	5	435	470	370	395	28	565	20	189	830
250M	2	406	349	168	60	140	18	53	M20x42	250	24	500	450	550	18.5	5	490	490	380	445	30	620	22	207	930
	4, 6	406	349	168	65	140	18	58	M20x42	250	24	500	450	550	18.5	5	490	490	380	445	30	620	22	207	930
280S	2	457	368	190	65	140	18	58	M20x42	280	24	500	450	550	18.5	5	550	580	410	490	35	695	22	215	981
	4, 6	457	368	190	75	140	20	67.5	M20x42	280	24	500	450	550	18.5	5	550	580	410	490	35	695	22	215	981
280M	2	457	419	190	65	140	18	58	M20x42	280	24	500	450	550	18.5	5	550	580	410	540	35	695	22	215	1032
	4, 6	457	419	190	75	140	20	67.5	M20x42	280	24	500	450	550	18.5	5	550	580	410	540	35	695	22	215	1032
315S	2	508	406	216	65	140	18	58	M20x42	315	28	600	550	660	24	6	630	645	535	570	45	850	22	257	1210
	4, 6	508	406	216	80	170	22	71	M20x42	315	28	600	550	660	24	6	630	645	535	570	45	850	22	257	1240
315M	2	508	457	216	65	140	18	58	M20x42	315	28	600	550	660	24	6	630	645	535	680	45	860	22	257	1295
	4, 6	508	457	216	80	170	22	71	M20x42	315	28	600	550	660	24	6	630	645	535	680	45	860	22	257	1325
315L	2 *	508	508	216	65	140	18	58	M20x42	315	28	600	550	660	24	6	630	645	535	680	45	860	22	257	1295
	4, 6 **	508	508	216	80	170	22	71	M20x42	315	28	600	550	660	24	6	630	645	535	680	45	860	22	257	1325
355M	2	610	560	254	75	140	20	67.5	M20x42	355	28	740	680	800	24	6	730	720	650	760	52	965	22	284	1495
	4, 6	610	560	254	95	170	25	86	M24x47	355	28	740	680	800	24	6	730	720	650	760	52	965	25	284	1555
355L	2	610	630	254	75	140	20	67.5	M20x42	355	28	740	680	800	24	6	730	720	650	760	52	1065	25	284	1495
	4, 6	610	630	254	95	170	25	86	M24x47	355	28	740	680	800	24	6	730	720	650	760	52	1065	25	284	1555

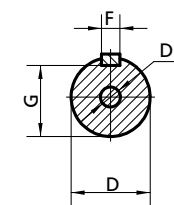
* 200kW 2P L=1465

** 200kW 4P L=1495



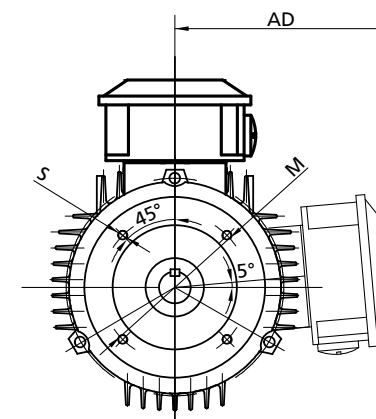
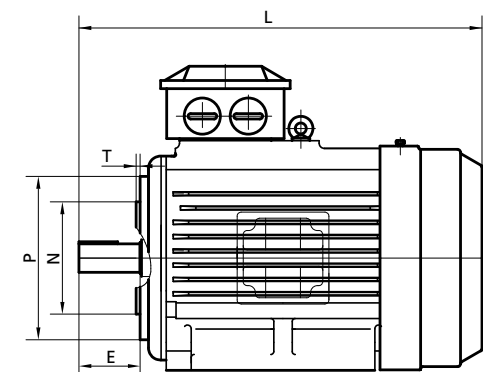
Dimensions IE2 and IE3 / 尺寸 IE2 和 IE3 B14A

Frame size	Poles	D	E	F	G	DH	H	M	N	P	S	T	AC	AD	L
80M	2, 4	19	40	6	15.5	M6x16	80	100	80	120	M6	3	167	165	300
90S	2, 4, 6	24	50	8	20	M8x19	90	115	95	140	M8	3	190	175	348
90L	2, 4, 6	24	50	8	20	M8x19	90	115	95	140	M8	3	190	175	378
100L	2, 4, 6	28	60	8	24	M10x22	100	130	110	160	M8	3.5	215	200	428
112M	2, 4, 6	28	60	8	24	M10x22	112	130	110	160	M8	3.5	240	220	460
132S	2, 4, 6	38	80	10	33	M12x28	132	165	130	200	M10	3.5	275	240	500
132M	2, 4, 6	38	80	10	33	M12x28	132	165	130	200	M10	3.5	275	240	540



Dimensions IE2 and IE3 / 尺寸 IE2 和 IE3 B14B

Frame size	Poles	D	E	F	G	DH	H	M	N	P	S	T	AC	AD	L
80M	2, 4	19	40	6	15.5	M6x16	80	130	110	160	M8	3.5	167	165	300
90S	2, 4, 6	24	50	8	20	M8x19	90	130	110	160	M8	3.5	190	175	348
90L	2, 4, 6	24	50	8	20	M8x19	90	130	110	160	M8	3.5	190	175	378
100L	2, 4, 6	28	60	8	24	M10x22	100	165	130	200	M10	3.5	215	200	428
112M	2, 4, 6	28	60	8	24	M10x22	112	165	130	200	M10	3.5	240	220	460
132S	2, 4, 6	38	80	10	33	M12x28	132	215	180	250	M12	4	275	240	500
132M	2, 4, 6	38	80	10	33	M12x28	132	215	180	250	M12	4	275	240	540

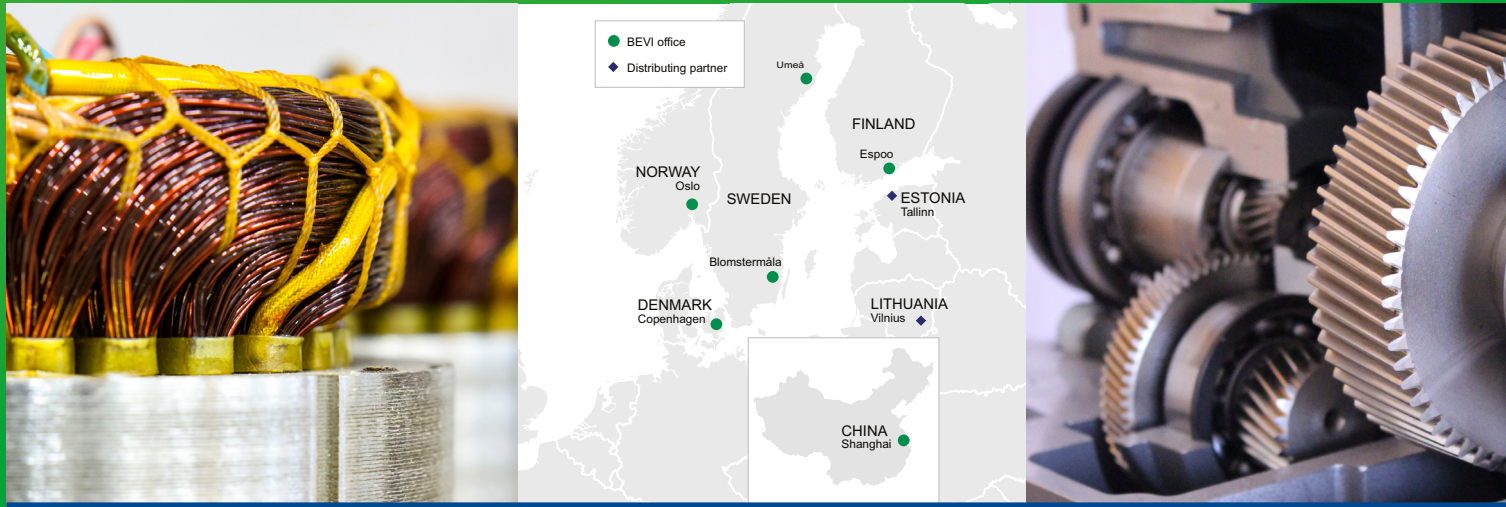




We stock a large number of products and parts to ensure short delivery time.
Our logistics solutions can be tailored to the customer's unique requirements.

在欧洲备有大量库存，以缩短交货时间，可按用户要求零担发货。

OUR ENERGY – YOUR SUCCESS



Sweden

BEVI AB (Headquarters)
Blomstermåla
Tel. +46-499-271 00
Fax +46-499-200 08
info@bevi.se
www.bevi.se

BEVI AB (Regional office)
Umeå
Tel. +46 90-70 44 30
bevinord@bevi.se
www.bevi.se

Denmark

BEVI A/S
Hedehusene
Tel. +45 39 67 36 05
bevi@bevi.dk
www.bevi.dk

Norway

BEVI Norge AS
Oslo
Tel. +47 23 19 16 50
info@bevi.no
www.bevi.no

Finland

BEVI Finland OY AB
Espoo
Tel. +358 9 2709 1210
info@bevi.fi
www.bevi.fi

China

BEVI Electric Shanghai Co., Ltd.
Shanghai
Tel. +86 21 5032 5200
Fax +86 21 5032 5202
sales@bevi.cn
www.bevi.cn